

TERRACE ROOF HAWAII 40 CUBO

Technical drawings





| | |
|---|----|
| Glazing table: glazing beads and gaskets CUBO_H01 | 5 |
| Vertical section support profile eave with gutter and rafter 130i CUBO_V09 | 6 |
| Vertical section support profile eave with gutter, rafter 130i and VG15/17 CUBO_V10 | 7 |
| Vertical section support profile eave with optional steel reinforcement, gutter, rafter 165i and FA/FS CUBO_V11 | 8 |
| Vertical section wall connection with rafter 95 CUBO_V01 | 9 |
| Vertical section wall connection with rafter 95, lighting profile and cable duct CUBO_V02 | 10 |
| Vertical section wall connection with rafter 130i and cable duct CUBO_V03 | 11 |
| Vertical section wall connection with rafter 165i and cable duct CUBO_V04 | 12 |
| Vertical section support profile with wall connection and rafter 95 (freestanding) CUBO_V05 | 13 |
| Vertical section support profile with wall connection 70, rafter 130i and cable duct (freestanding) CUBO_V07 | 14 |
| Vertical section support profile with wall connection, rafter 165i and cable duct (freestanding) CUBO_V06 | 15 |
| vertical section support profile with wall connection, rafter 95, cable duct, optional gutter, VG15/17 (freestanding) CUBO_V08 | 16 |
| Vertical section support profile lateral with optional gutter and rafter 95 CUBO_V12 | 17 |
| Vertical section support profile lateral with optional gutter, rafter 130i and Ideal 38 CUBO_V13 | 18 |
| Vertical section support profile lateral with optional gutter, rafter 165i and Fiesta 42 with element fixing CUBO_V14 | 19 |
| Vertical section support profile, t-connector, eave gutter and rafter 165i CUBO_V19 | 20 |
| Vertical section support profile with steel rope and cable duct for LED (on both sides) CUBO_V22 | 21 |
| Vertical section double pitch roof ridge with rafter connection CUBO_V20 | 22 |
| Vertical section rafter 95 with optional steel reinforcement (80 x 10mm) and optional LED 23 CUBO_V15 | |



| | |
|---|----|
| CUBO_V16 | |
| Vertical section rafter 165i with optional steel, reinforcement (80 x 12mm) | 25 |
| CUBO_V17 | |
| Vertical section transom with laminated glass / insulated glass / panels | 26 |
| CUBO_V18 | |
| Vertical section saddle rung | 27 |
| CUBO_V23 | |
| Vertical section universal angels for shading | 28 |
| CUBO_V21 | |
| Horizontal section corner posts 170/90 with VG15/17 | 29 |
| CUBO_H02 | |
| Horizontal section corner posts 90/90, and Fiesta 42 with element fixing | 30 |
| CUBO_H09 | |
| Horizontal section central post 100/100/4 with VG15/17 | 31 |
| CUBO_H04 | |
| Horizontal section central post 120/60/4 with Ideal 38 | 32 |
| CUBO_H05 | |
| Horizontal section wall connection 80/40/4 - 80/80/4 - 90/90/4 | 33 |
| CUBO_H08 | |
| Detail T-connector | 34 |
| CUBO_H06 | |
| Detail corner connection freestanding with spitter | 35 |
| CUBO_H07 | |
| Detail foot plate with fixed height | 36 |
| CUBO_D01 | |
| Detail foot plate with adjustable height | 37 |
| CUBO_D02 | |
| Detail foot plate with adjustable height for freestanding constructions | 38 |
| CUBO_D03 | |
| Detail connection carrier on wall | 39 |
| CUBO_D06 | |
| Detail corner connection 90° without post | 40 |
| CUBO_D05 | |
| Structural attachment point foundation | 41 |
| CUBO_B01 | |
| Structural attachment floor connection | 42 |
| CUBO_B02 | |
| Structural attachment wall connection | 43 |
| CUBO_B03 | |
| Structural attachment rafter 95 wall connection | 44 |
| CUBO_B04 | |
| Structural attachment rafter 130i wall connection | 45 |
| CUBO_B05 | |



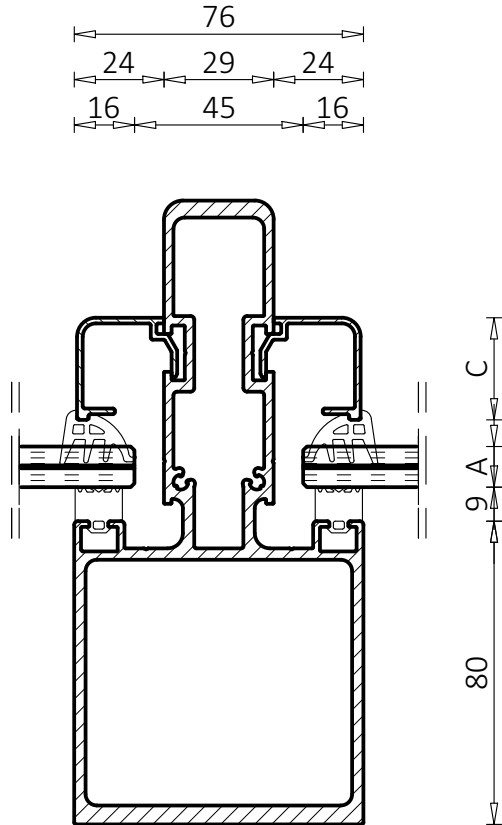
| | |
|--|-----------|
| Structural attachment rafter 165i wall connection | 46 |
| CUBO_B06 | |
| Profile overview | 47 |
| CUBO_P01 | |
| Profile overview | 48 |
| CUBO_P02 | |



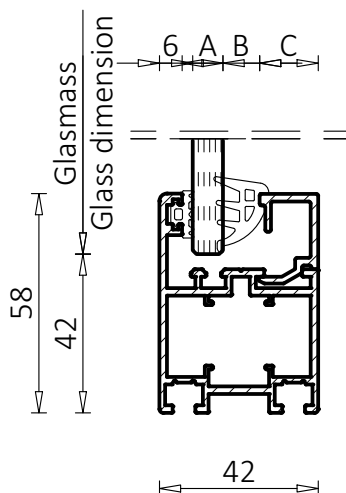
Glazing table: glazing beads and gaskets

CUBO_H01

Masstab / Scale 1:2



| Verglasung Sparren und Wandanschluss Glazing to rafter and wall connection | | | | |
|---|--------------------|---|---|------|
| A | Dichtung Gasket | Glasleiste Sparren Glazing bead rafter | Glasleiste Wand Glass bead wall connection | C |
| 7,4 - 8,9 | 20110 | 18686 | 18680 | 27 |
| 9,0 - 10,5 | 20111 | 18686 | 18680 | 27 |
| 10,6 - 12,0 | 20113 | 18686 | 18680 | 27 |
| 12,1 - 13,1 | 20109 | 18686 | 18680 | 27 |
| 13,2 - 13,5 | 20112 | 18686 | 18680 | 27 |
| 13,6 - 15,1 | 20110 | 18687 | 18685 | 21 |
| 15,2 - 16,7 | 20111 | 18687 | 18685 | 21 |
| 16,8 - 18,2 | 20113 | 18687 | 18685 | 21 |
| 18,3 - 19,3 | 20109 | 18687 | 18685 | 21 |
| 19,4 - 20,0 | 20112 | 18687 | 18685 | 21 |
| 20,1 - 20,8 | 20110 | 18688 | 18677 | 15,5 |
| 20,9 - 22,4 | 20111 | 18688 | 18677 | 15,5 |
| 22,5 - 23,9 | 20113 | 18688 | 18677 | 15,5 |
| 24,0 - 25,0 | 20109 | 18688 | 18677 | 15,5 |
| 25,1 - 26,0 | 20112 | 18688 | 18677 | 15,5 |
| 26,1 - 27,6 | 20110 | 17555 | 10377 | 9 |
| 27,7 - 29,2 | 20111 | 17555 | 10377 | 9 |
| 29,3 - 30,7 | 20113 | 17555 | 10377 | 9 |
| 30,8 - 31,8 | 20109 | 17555 | 10377 | 9 |
| 31,9 - 32,4 | 20112 | 17555 | 10377 | 9 |



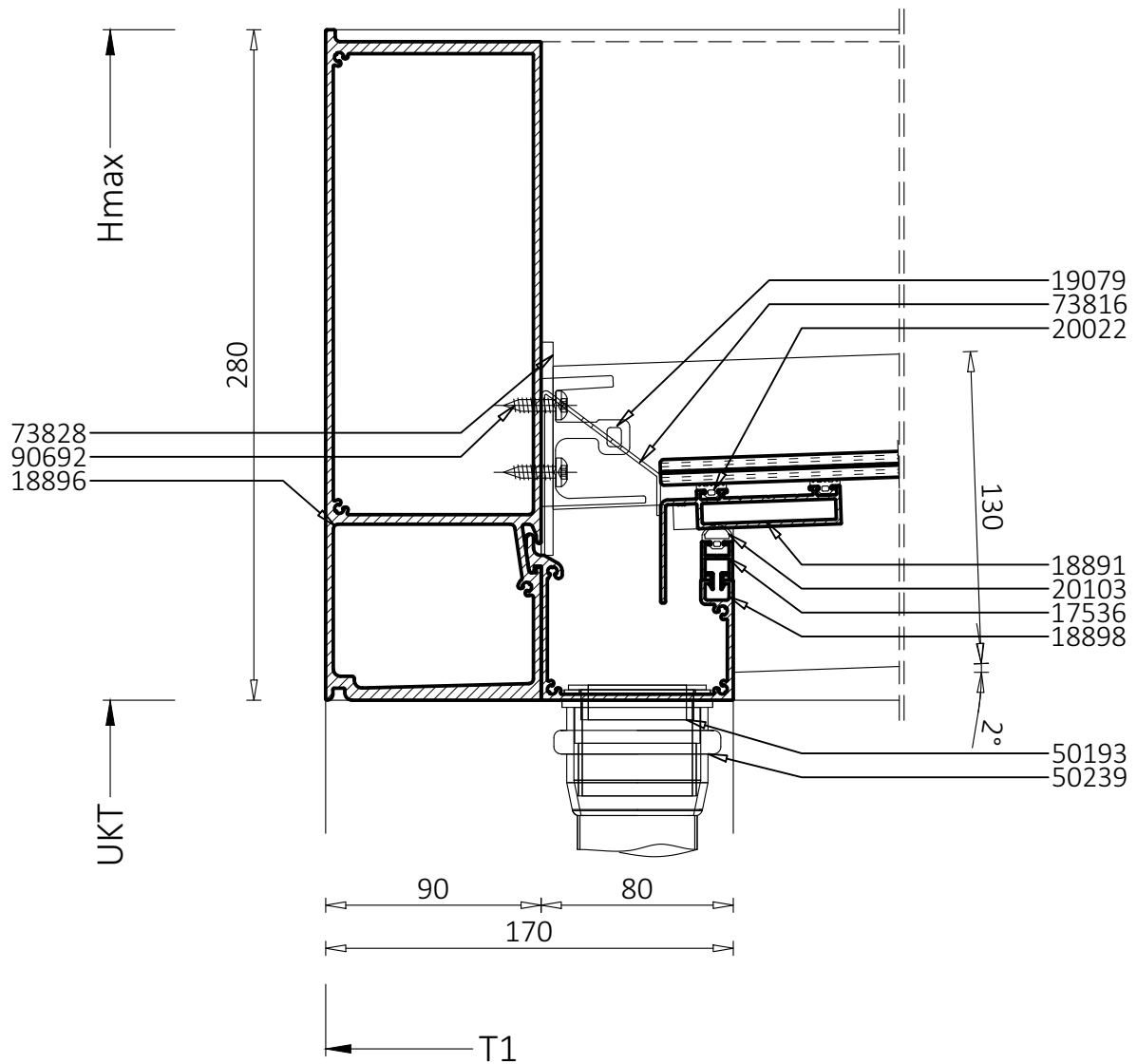
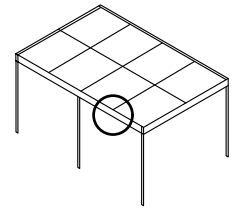
| Verglasung System Fiesta 42 Glazing system Fiesta 42 | | | | |
|--|--------------------|-----------|--------------------------|------|
| A | Dichtung Gasket | B | Glasleiste Glass bead | C |
| 2,5 - 4,4 | 20083 | 7,5 - 5,6 | 18679 | 23 |
| 4,5 - 5,5 | 20003 | 5,5 - 4,5 | 18679 | 23 |
| 5,6 - 7,9 | 20083 | 7,9 - 5,6 | 18678 | 19,5 |
| 8,0 - 9,5 | 20003 | 5,5 - 4,0 | 18678 | 19,5 |
| 9,6 - 11,9 | 20083 | 7,9 - 5,6 | 18677 | 15,5 |
| 12,0 - 13,5 | 20003 | 5,5 - 4,0 | 18677 | 15,5 |
| 13,6 - 14,9 | 20083 | 6,9 - 5,6 | 16523 | 12,5 |
| 15,0 - 16,5 | 20003 | 5,5 - 4,0 | 16523 | 12,5 |
| 16,6 - 18,0 | 20083 | 7,4 - 6,0 | 10377 | 9 |



Vertical section support profile eave with gutter and rafter 130i

CUBO_V09

Masstab / Scale 1:3

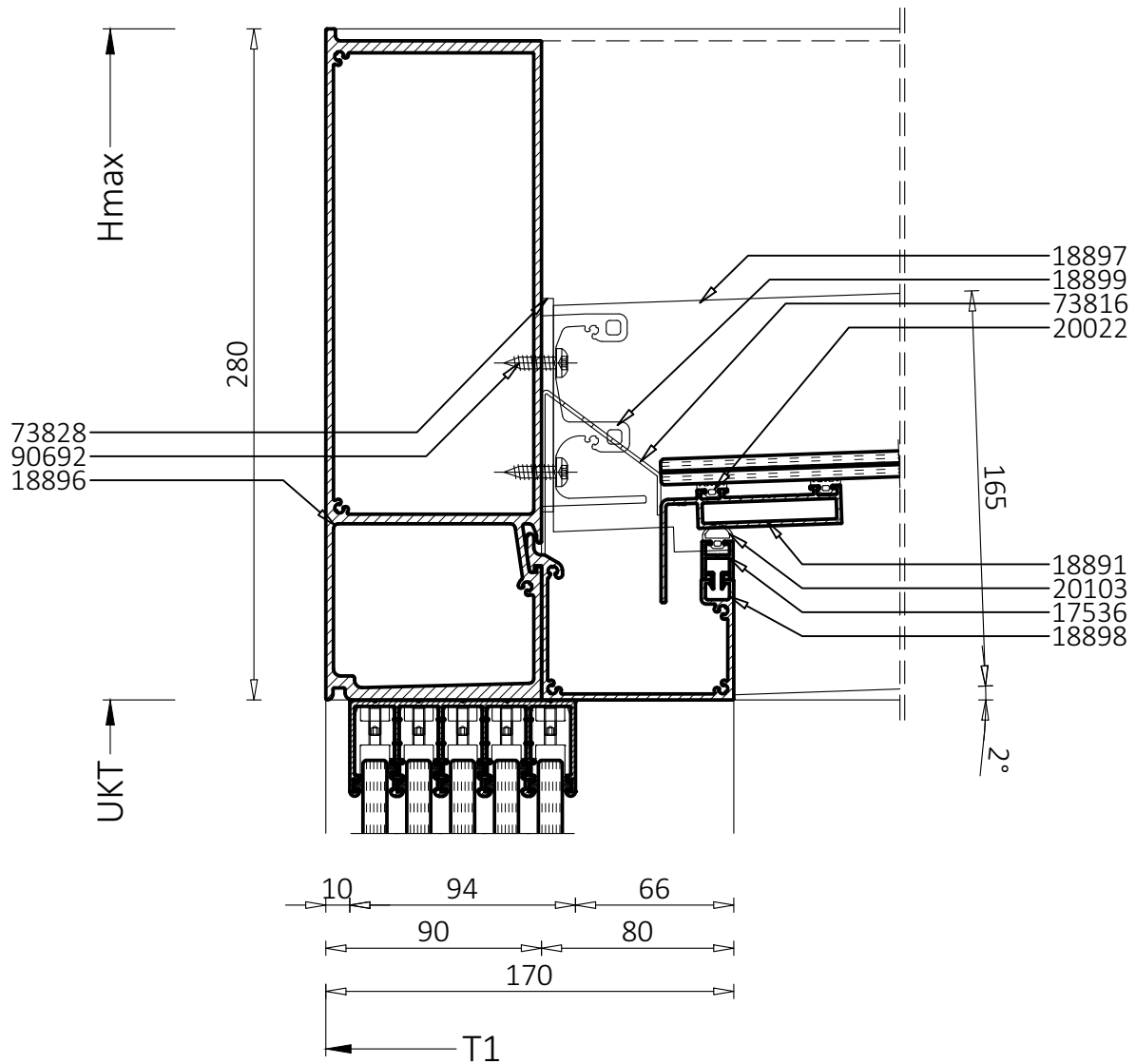
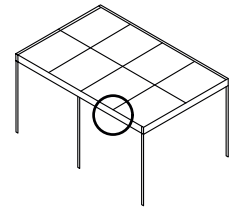




Vertical section support profile eave with gutter, rafter 130i and VG15/17

CUBO_V10

Masstab / Scale 1:3

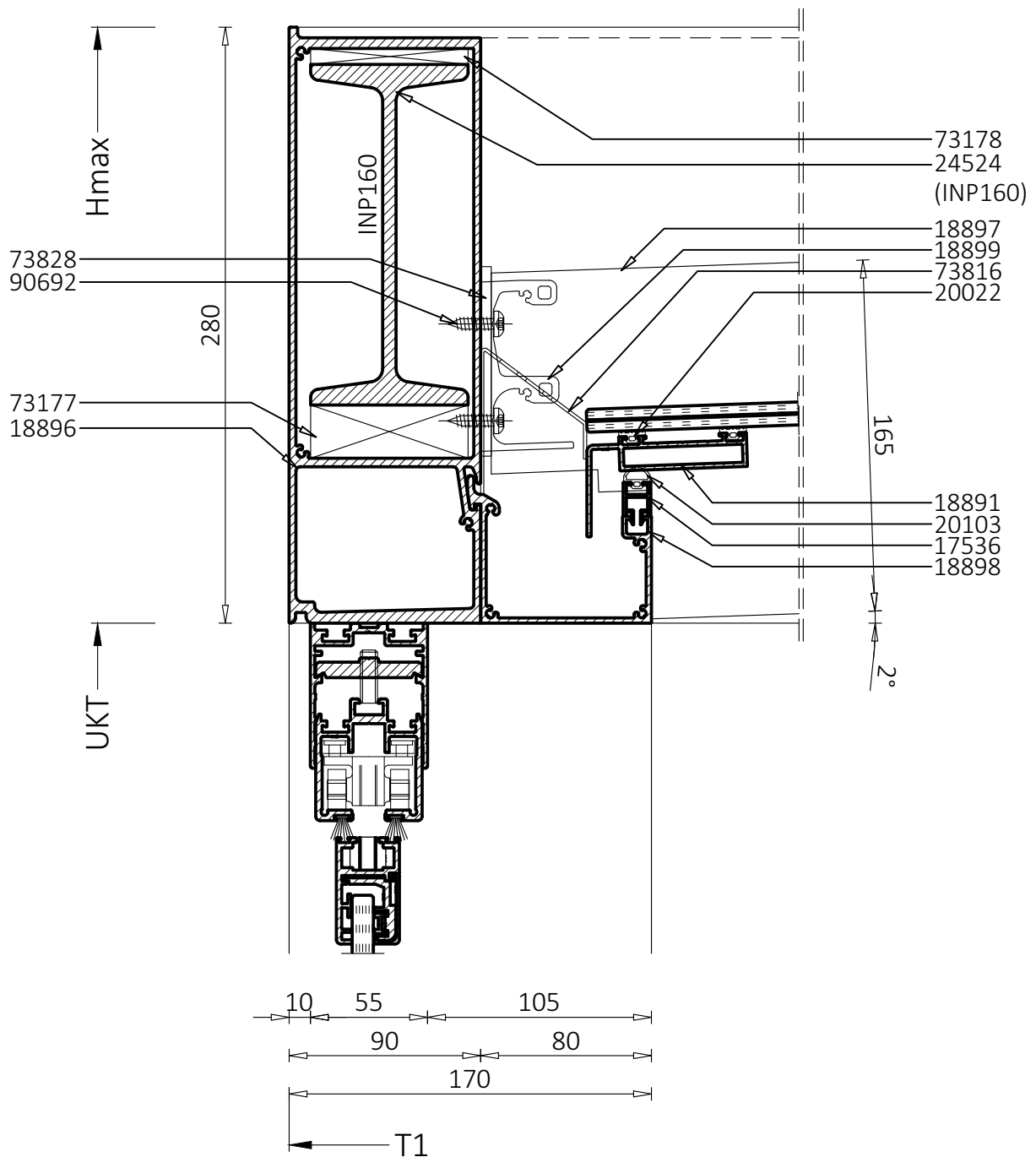
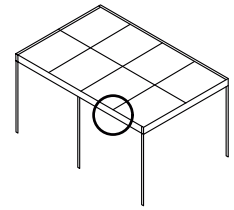




Vertical section support profile eave with optional steel reinforcement, gutter, rafter 165i and FA/FS

CUBO_V11

Masstab / Scale 1:3

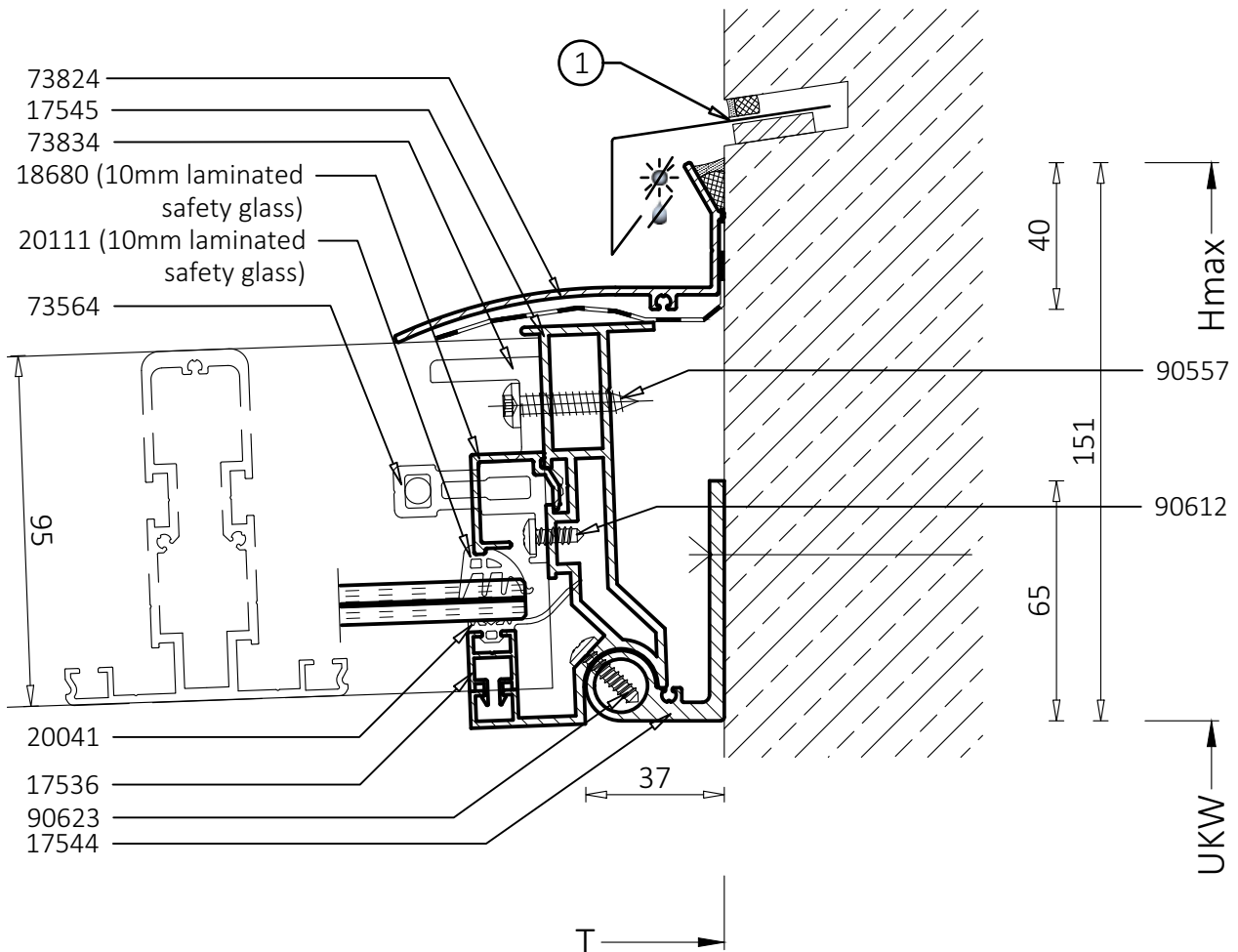
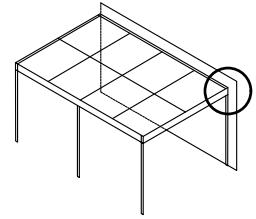




Vertical section wall connection with rafter 95

CUBO_V01

Masstab / Scale 1:2



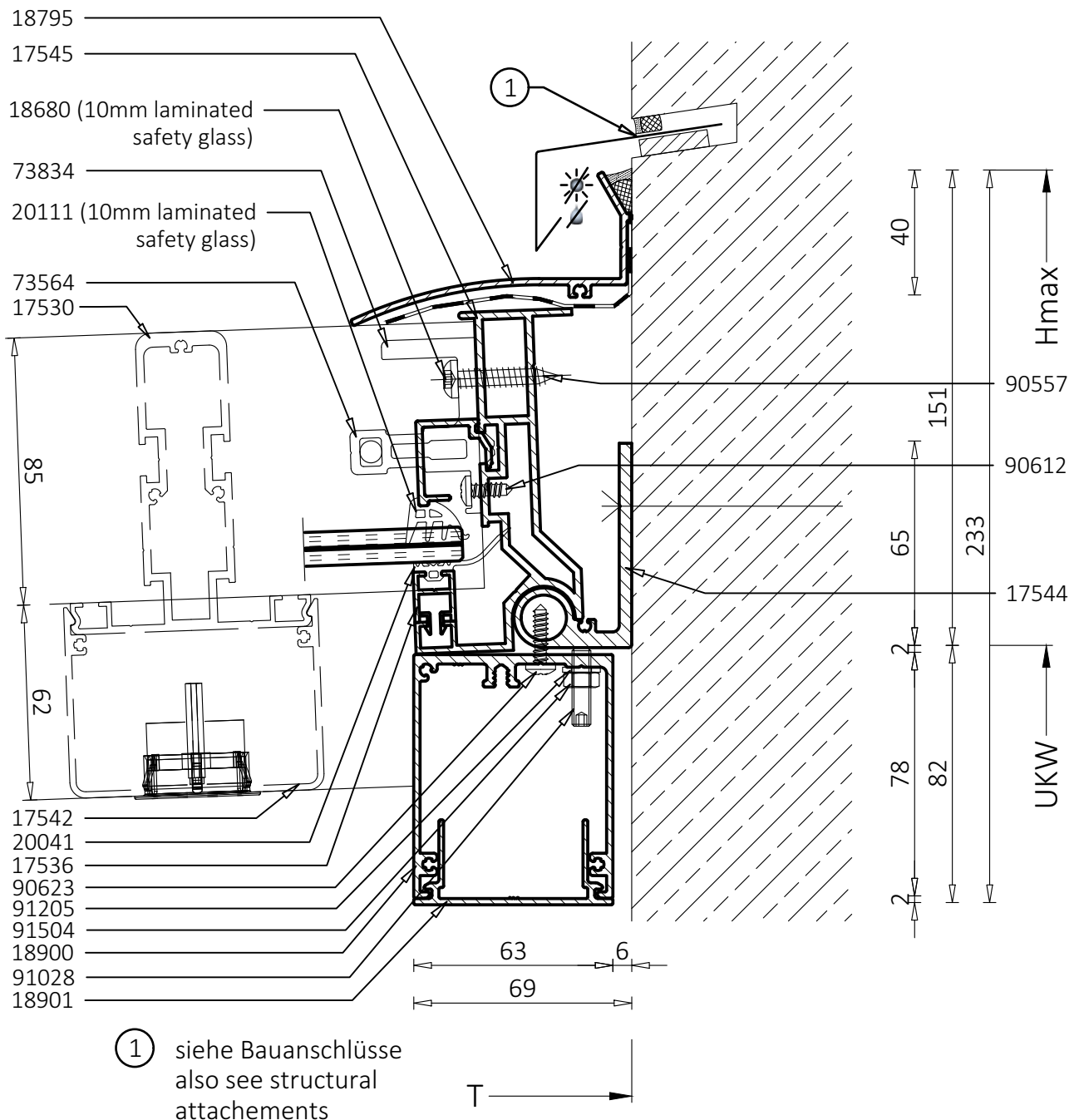
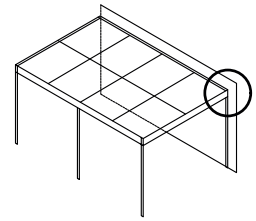
① siehe Bauanschlüsse
also see structural
attachements



Vertical section wall connection with rafter 95, lighting profile and cable duct

CUBO_V02

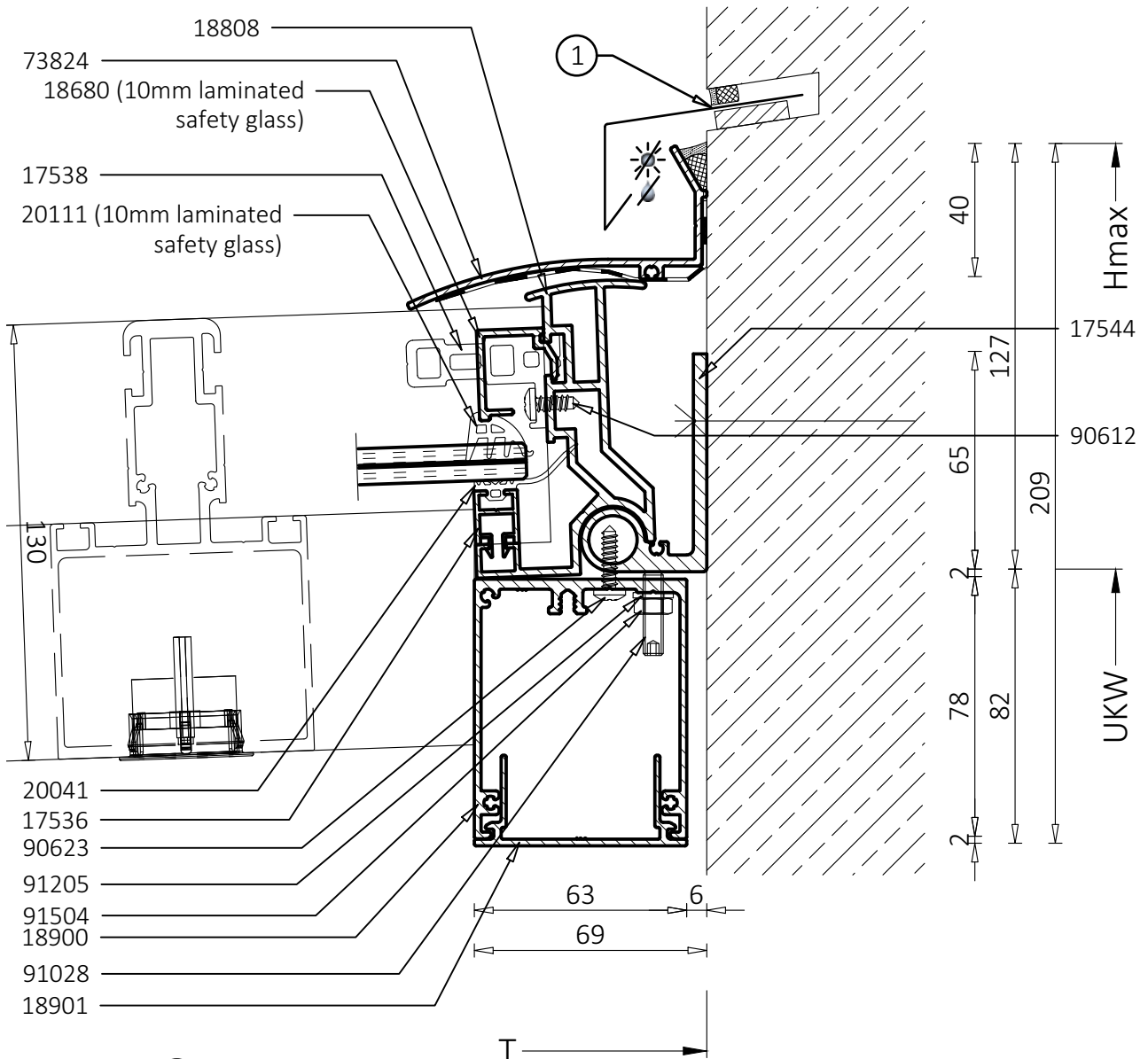
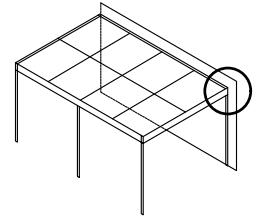
Masstab / Scale 1:2





Vertical section wall connection with rafter 130i and cable duct
CUBO_V03

Masstab / Scale 1:2



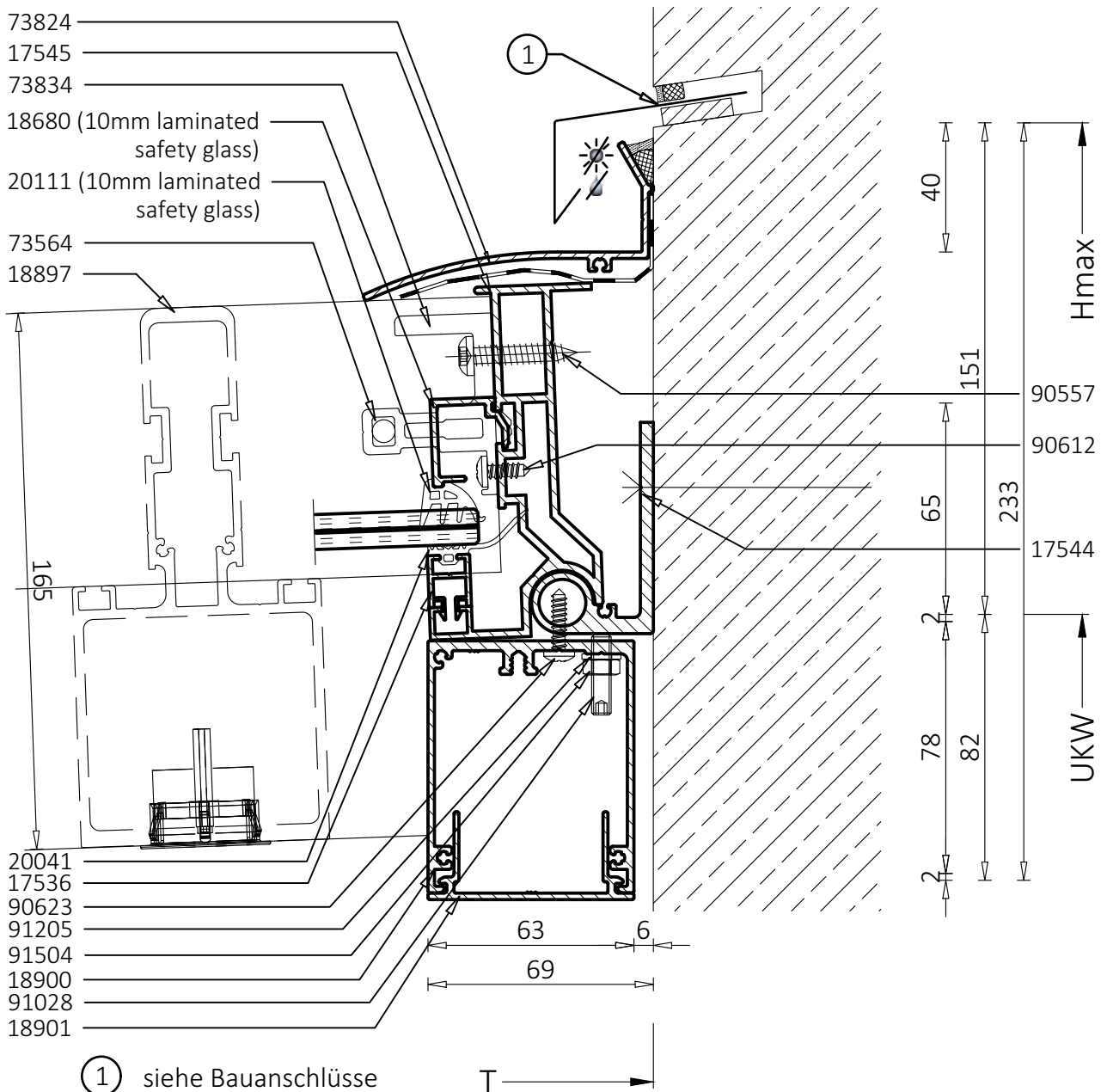
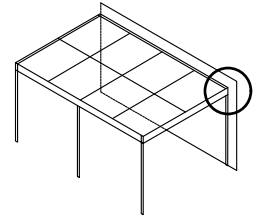
① siehe Bauanschlüsse
also see structural
attachements



Vertical section wall connection with rafter 165i and cable duct

CUBO_V04

Masstab / Scale 1:2

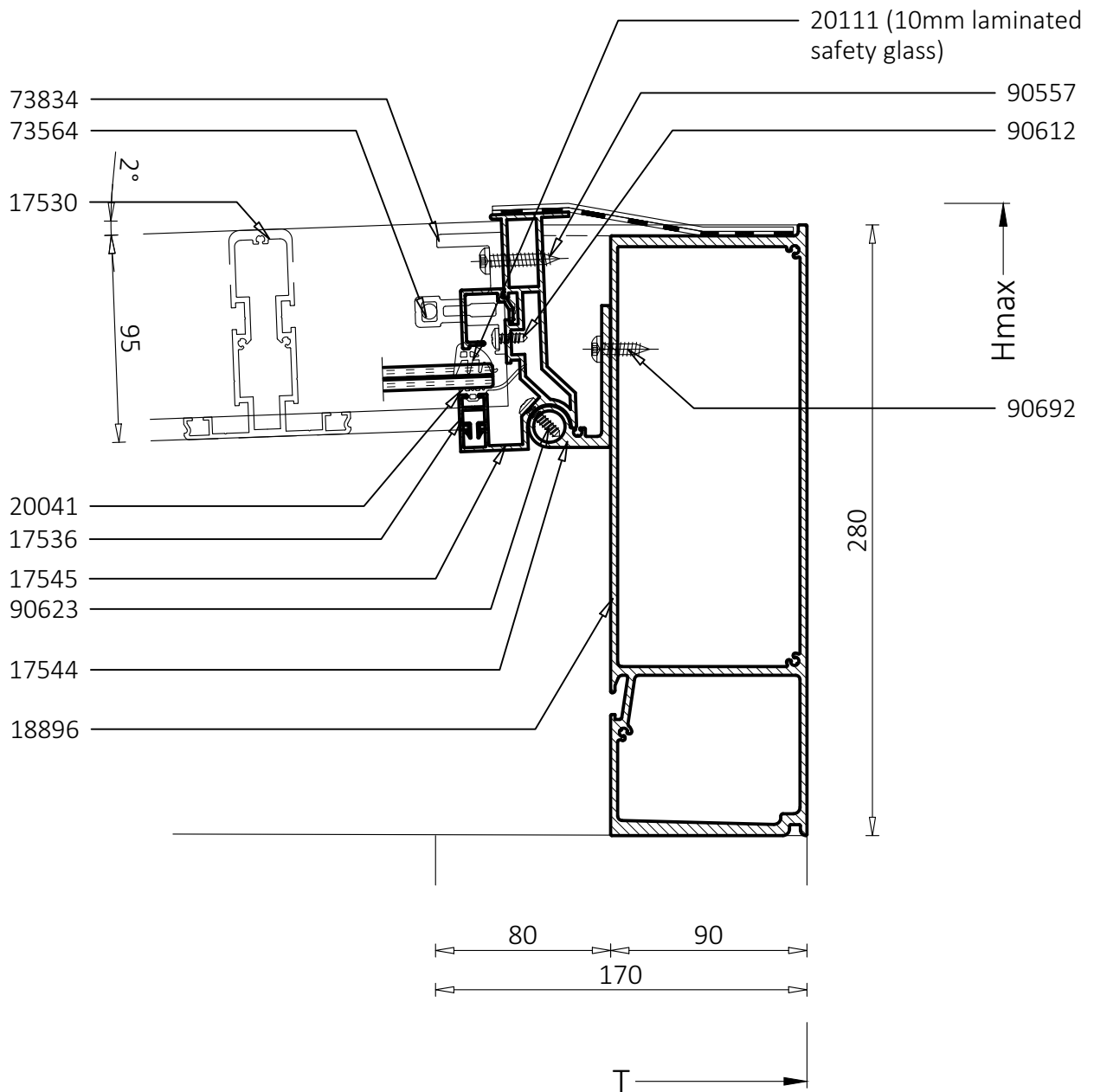
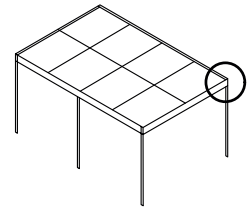




Vertical section support profile with wall connection and rafter 95 (freestanding)

CUBO_V05

Masstab / Scale 1:3

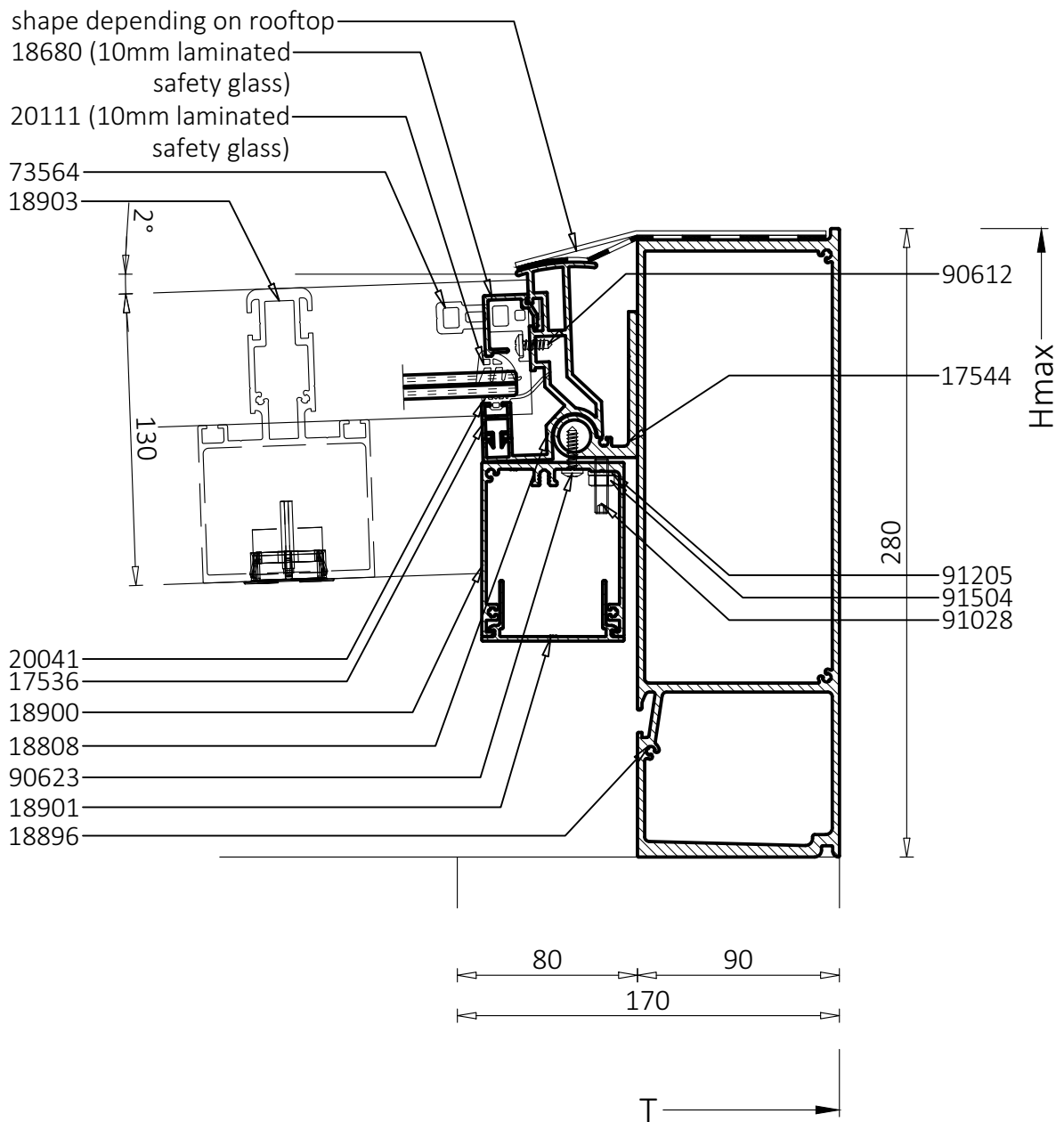
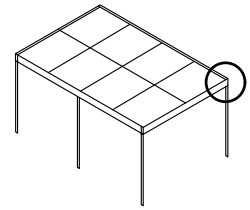




Vertical section support profile with wall connection 70, rafter 130i and cable duct (freestanding)

CUBO_V07

Masstab / Scale 1:3

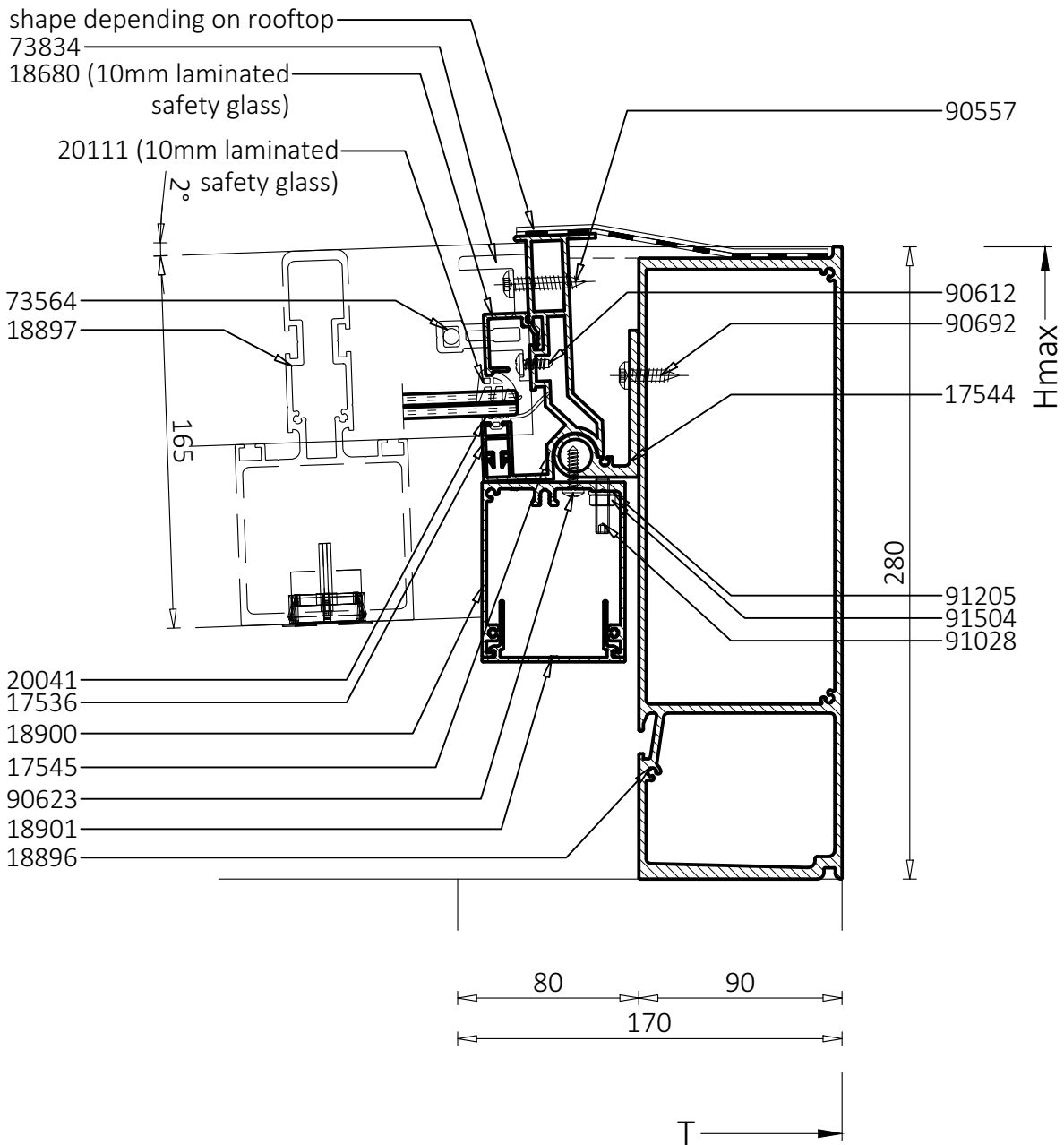
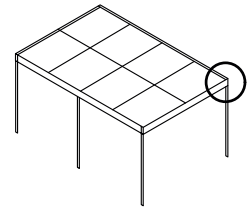




Vertical section support profile with wall connection, rafter 165i and cable duct (freestanding)

CUBO_V06

Masstab / Scale 1:3

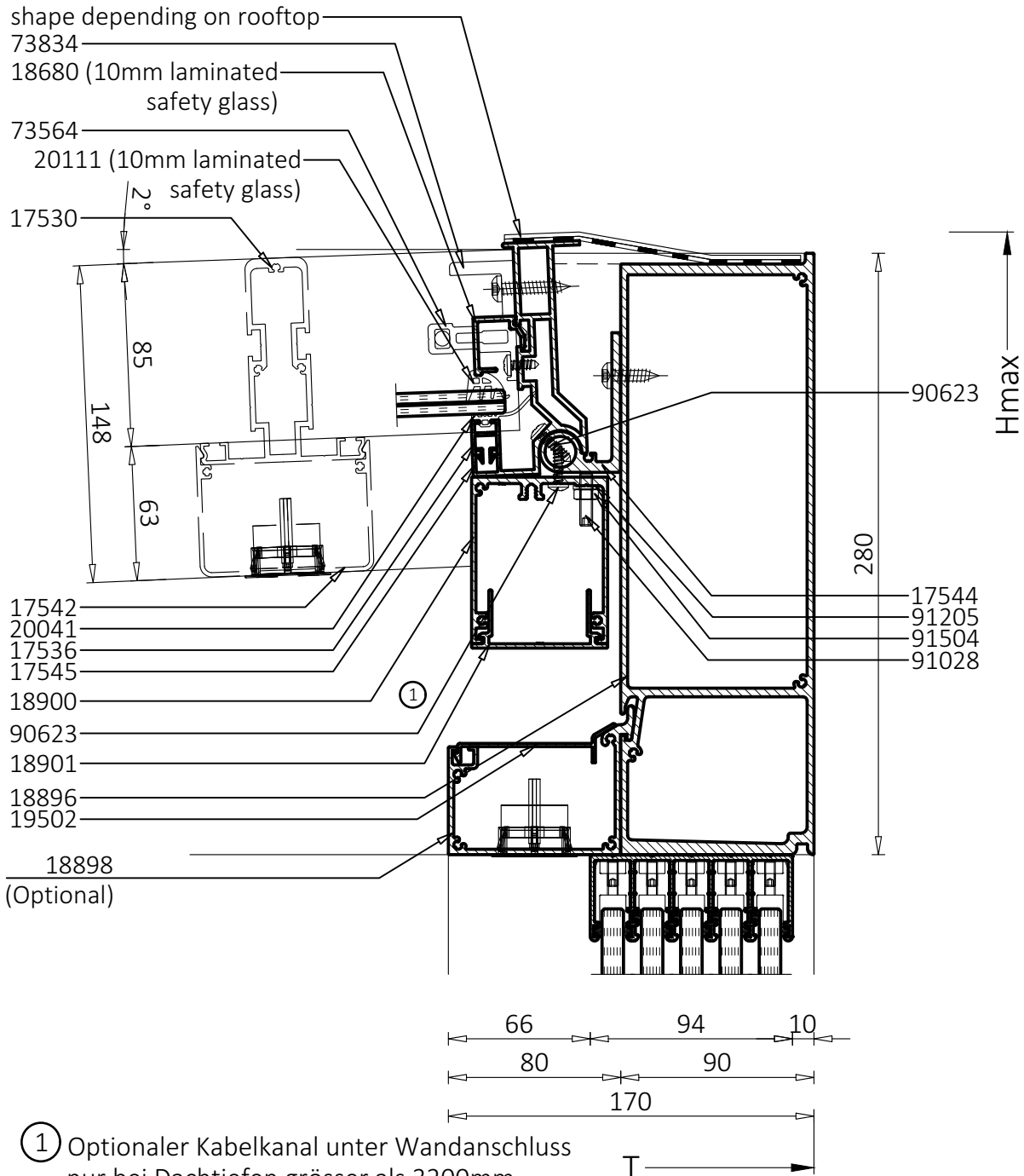
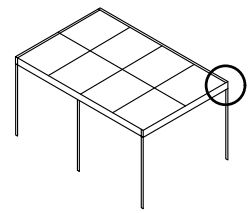




**vertical section support profile with wall connection, rafter 95,
cable duct, optional gutter, VG15/17 (freestanding)**

CUBO_V08

Masstab / Scale 1:3



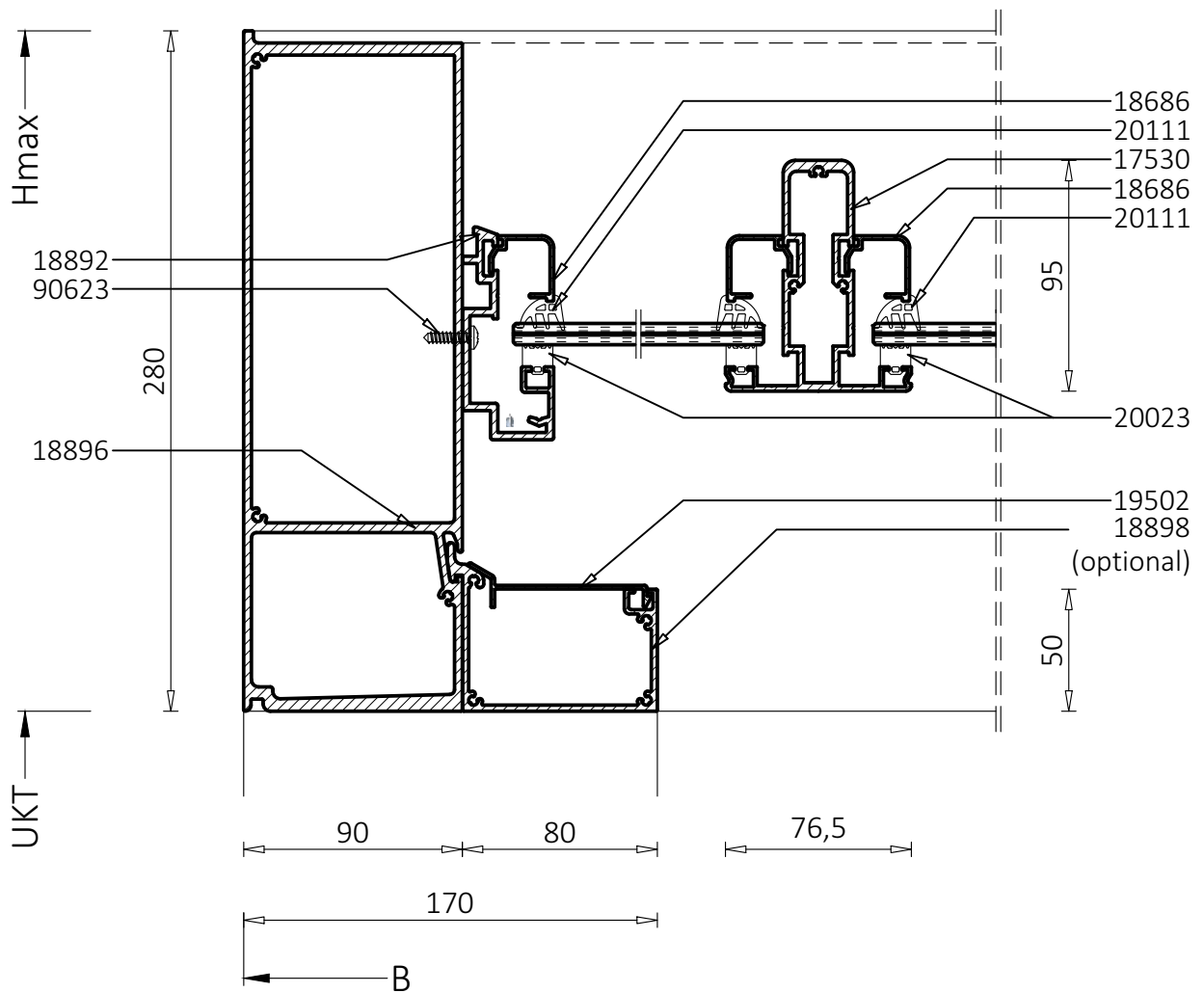
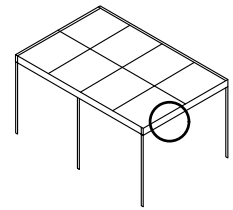
① Optionaler Kabelkanal unter Wandanschluss
nur bei Dachtiefen grösser als 3200mm
Optional cable duct only possible for roof
depths more than 3200mm



Vertical section support profile lateral with optional gutter and rafter 95

CUBO_V12

Masstab / Scale 1:3

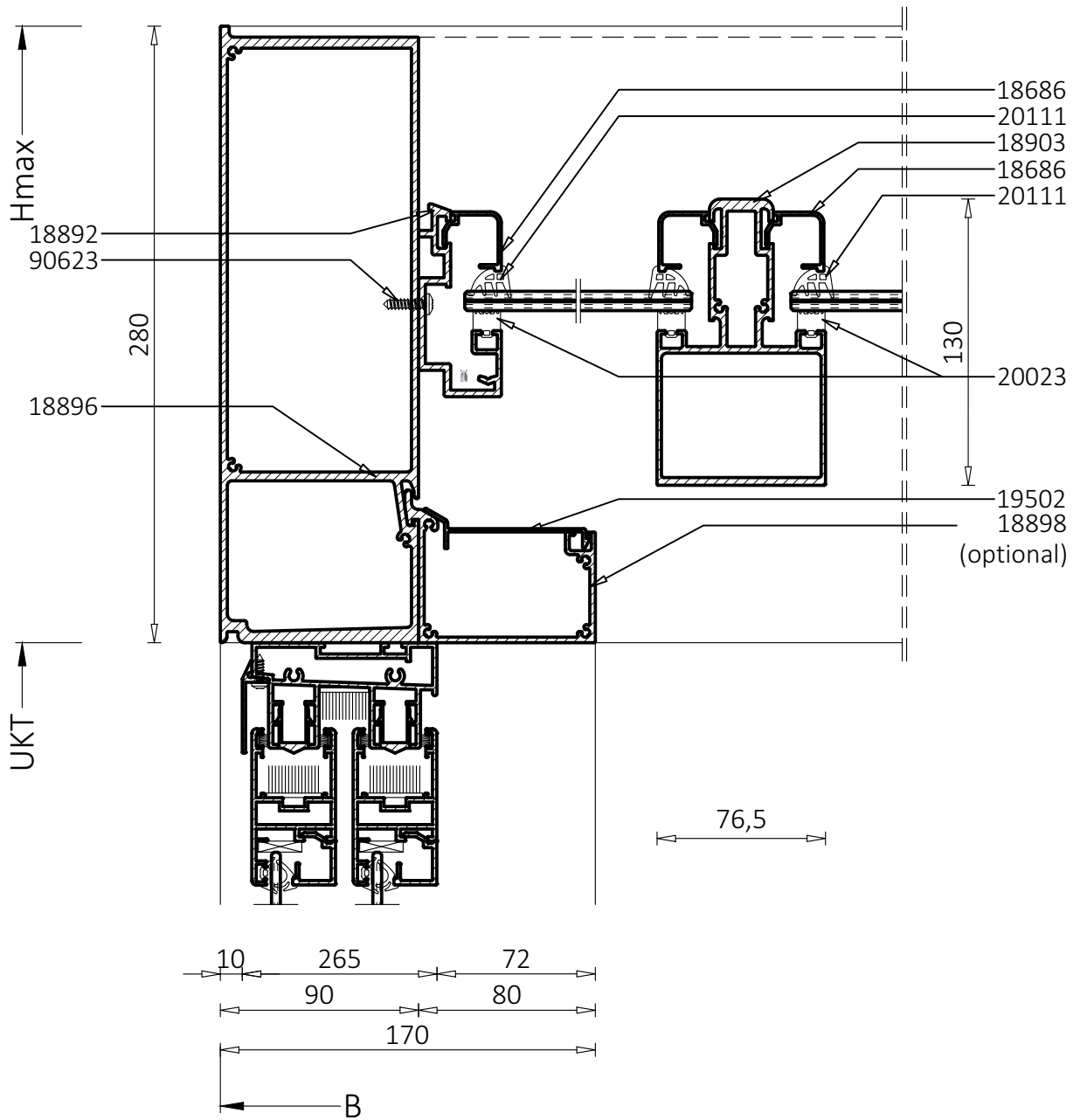
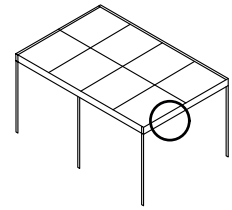




**Vertical section support profile lateral with optional gutter,
rafter 130i and Ideal 38**

CUBO_V13

Masstab / Scale 1:3

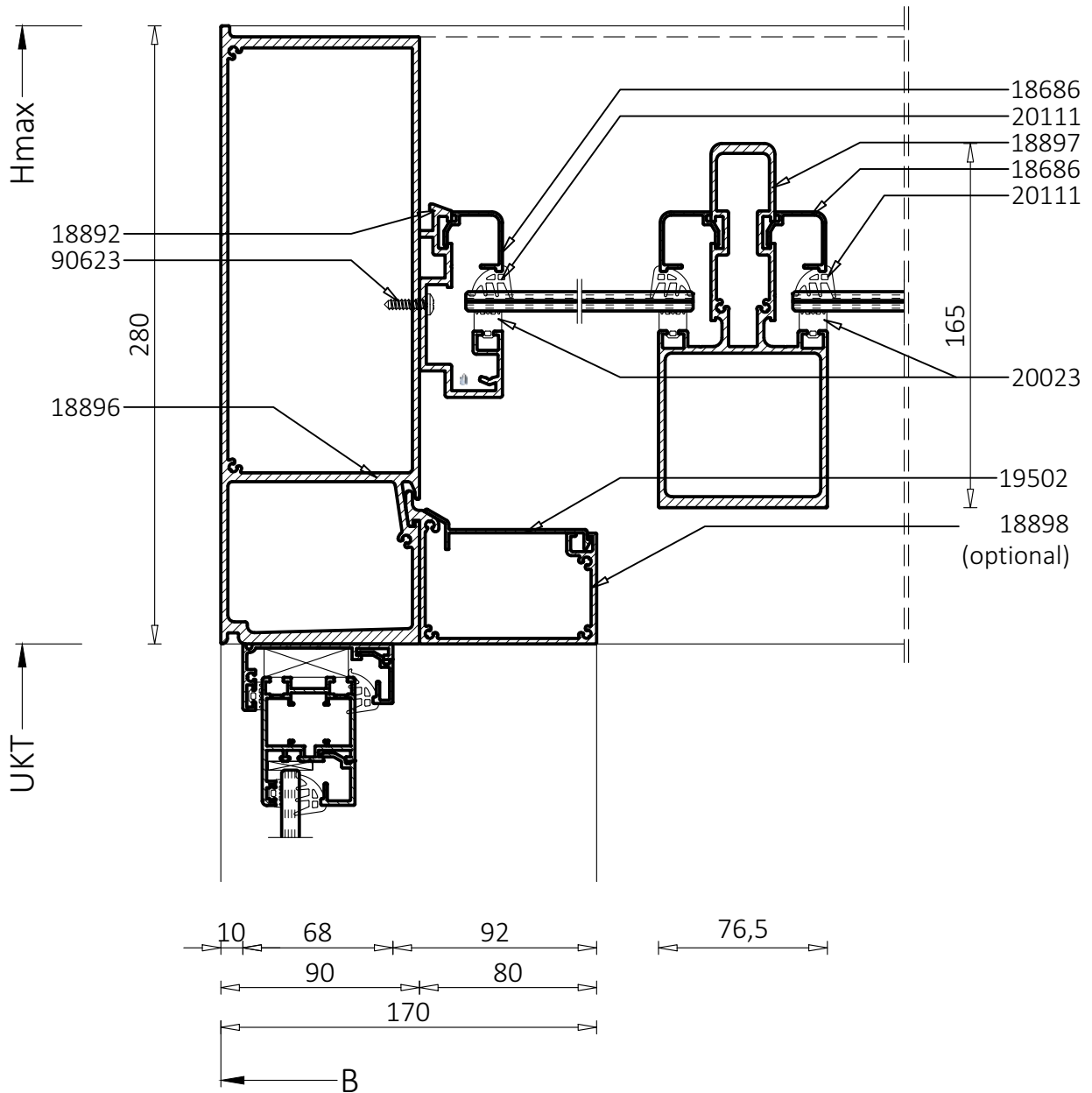
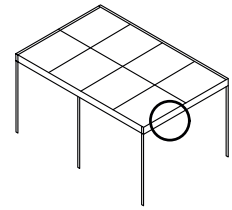




Vertical section support profile lateral with optional gutter, rafter 165i and Fiesta 42 with element fixing

CUBO_V14

Masstab / Scale 1:3

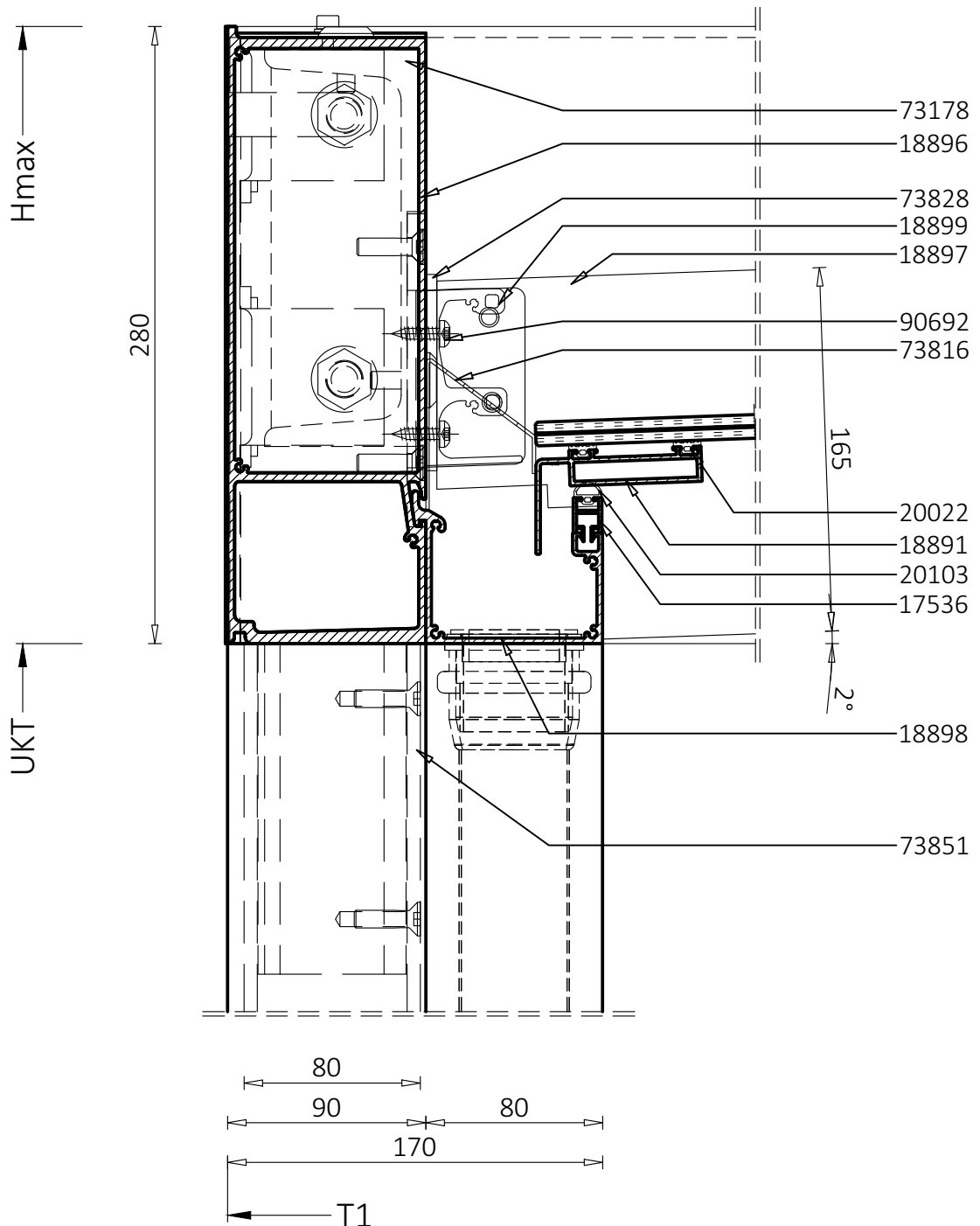
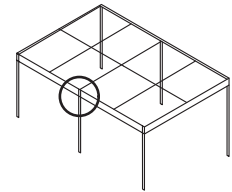




Vertical section support profile, t-connector, eave gutter and rafter 165i

CUBO_V19

Masstab / Scale 1:3

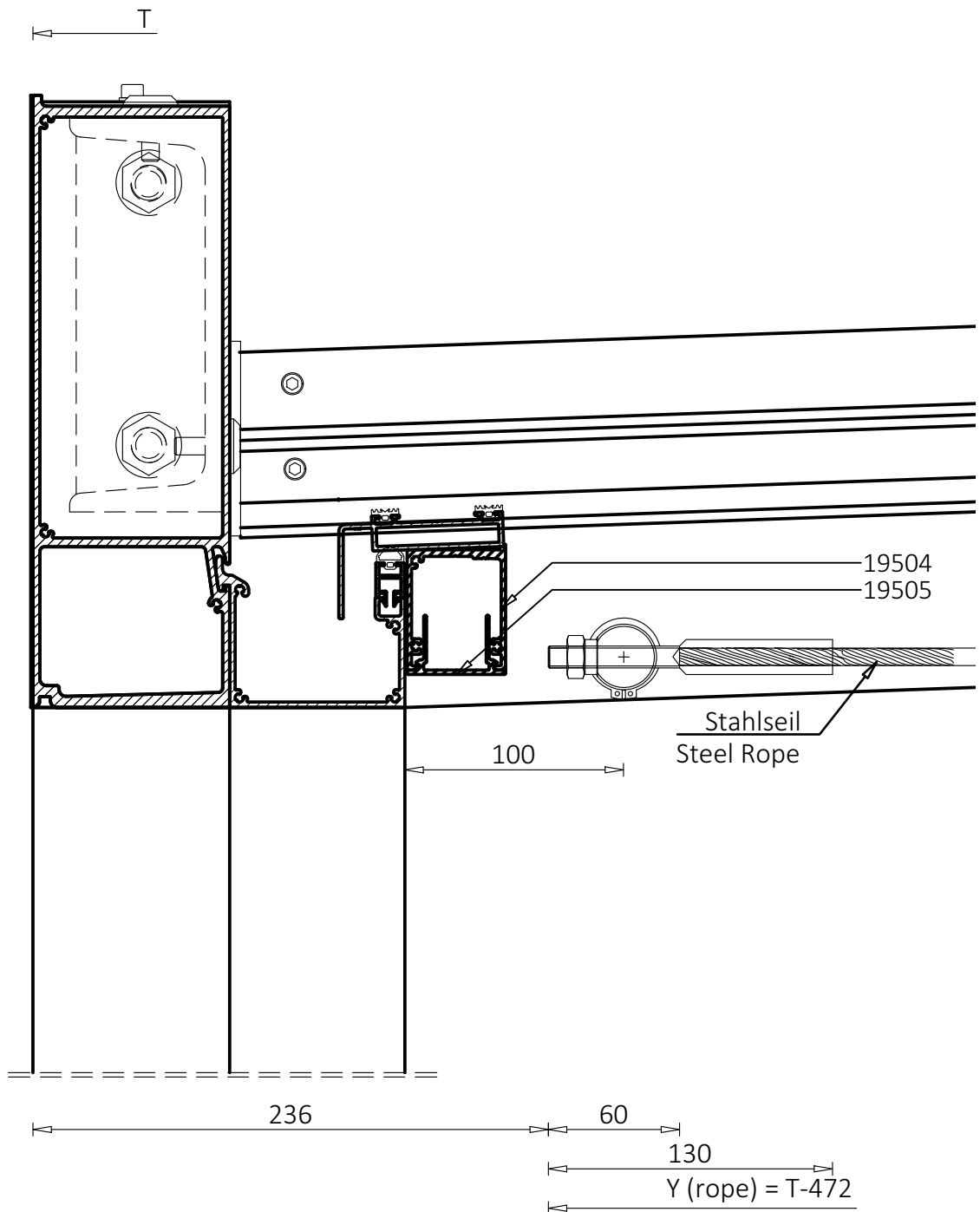
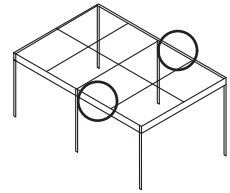




Vertical section support profile with steel rope and cable duct for LED (on both sides)

CUBO_V22

Masstab / Scale 1:3

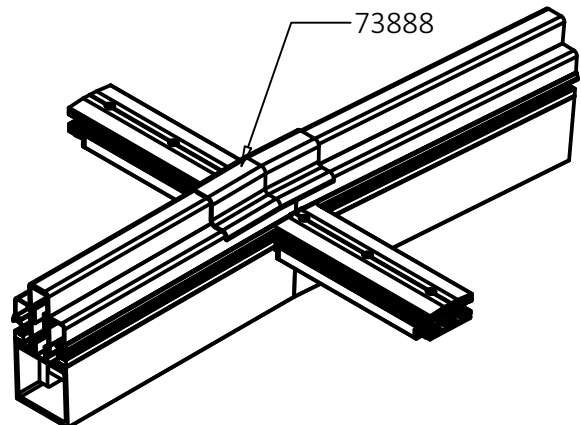
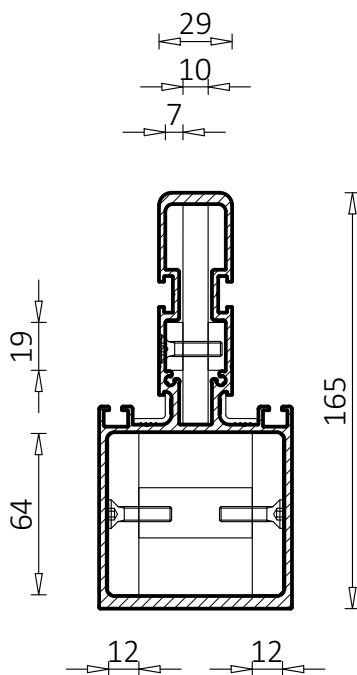
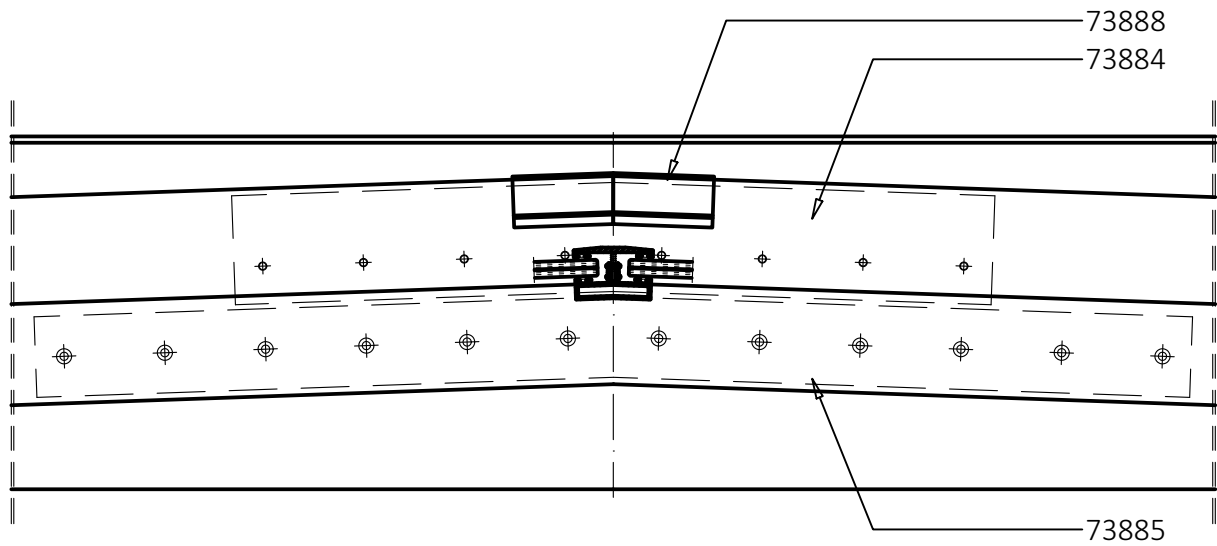
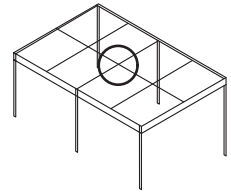




Vertical section double pitch roof ridge with rafter connection

CUBO_V20

Masstab / Scale 1:3

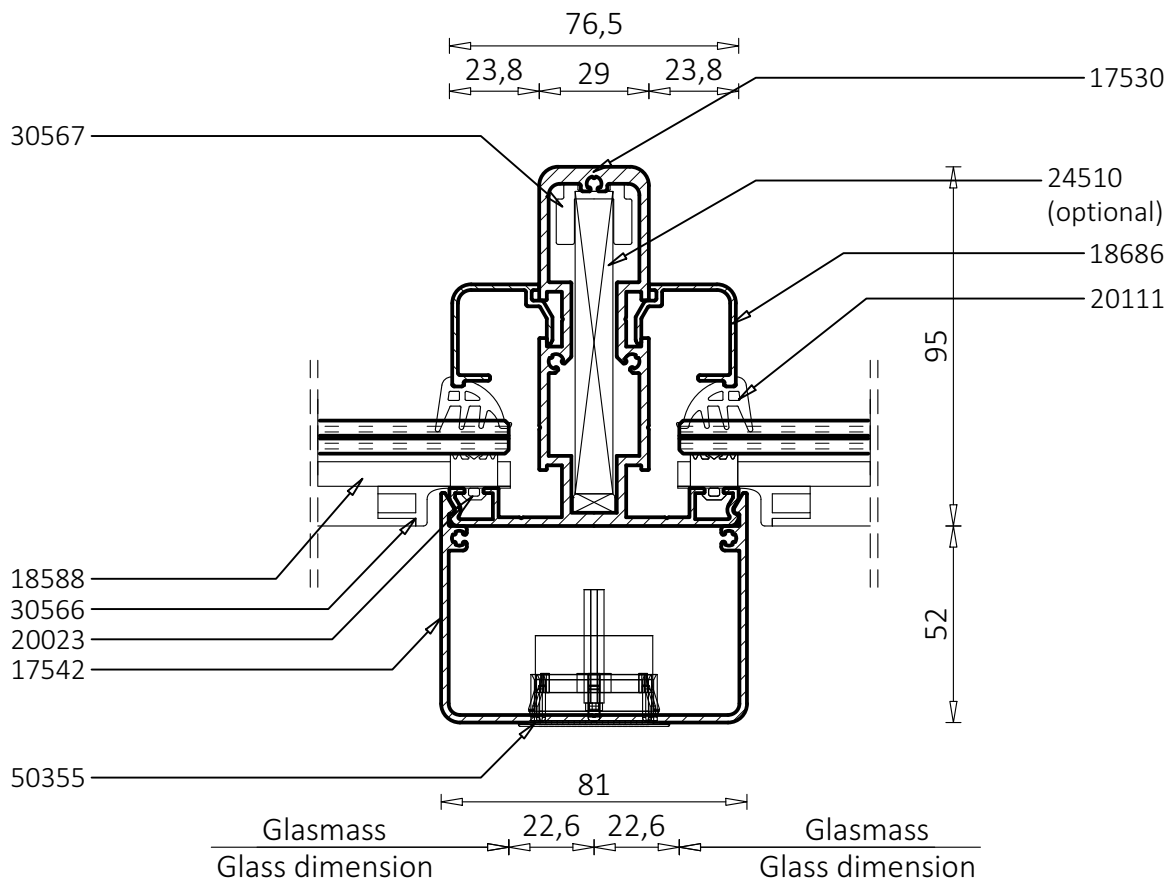
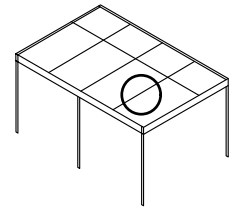




**Vertical section rafter 95 with optional steel reinforcement
(80 x 10mm) and optional LED**

CUBO_V15

Masstab / Scale 1:2

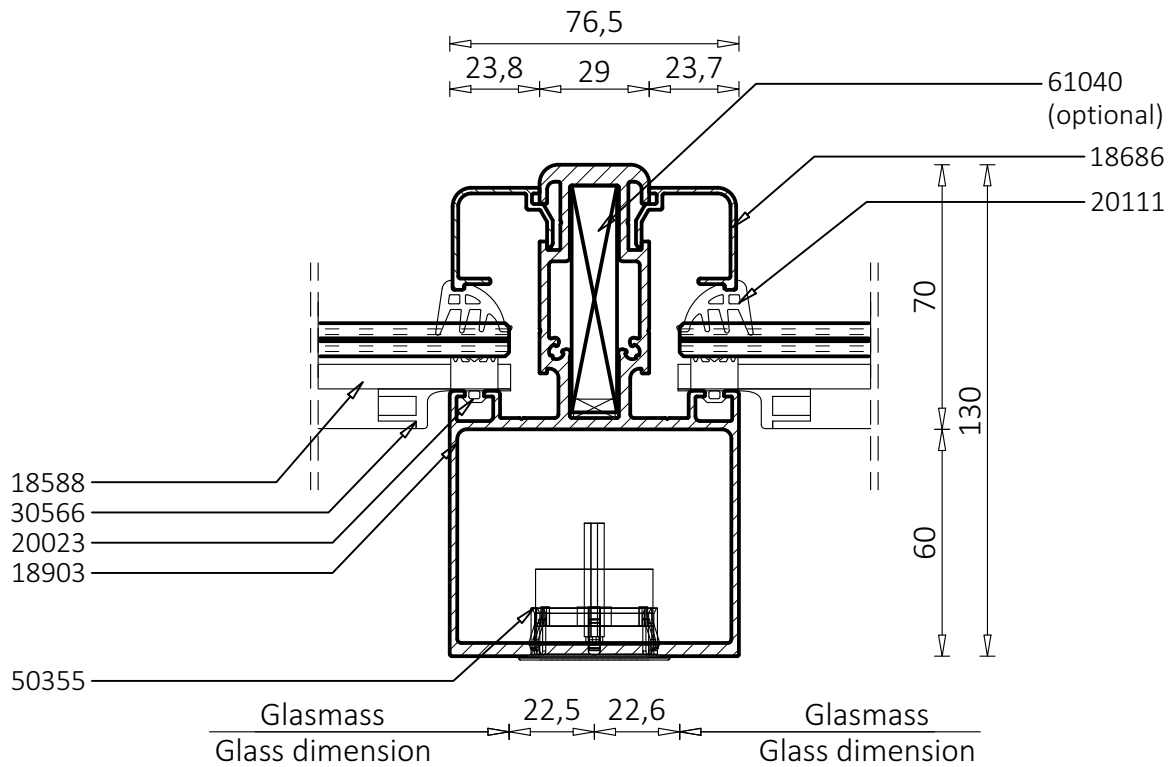
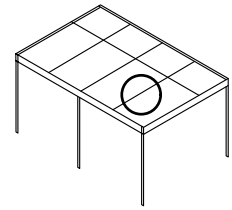




**Vertical section rafter 130i with optional steel reinforcement
(60 x 12mm)**

CUBO_V16

Masstab / Scale 1:2

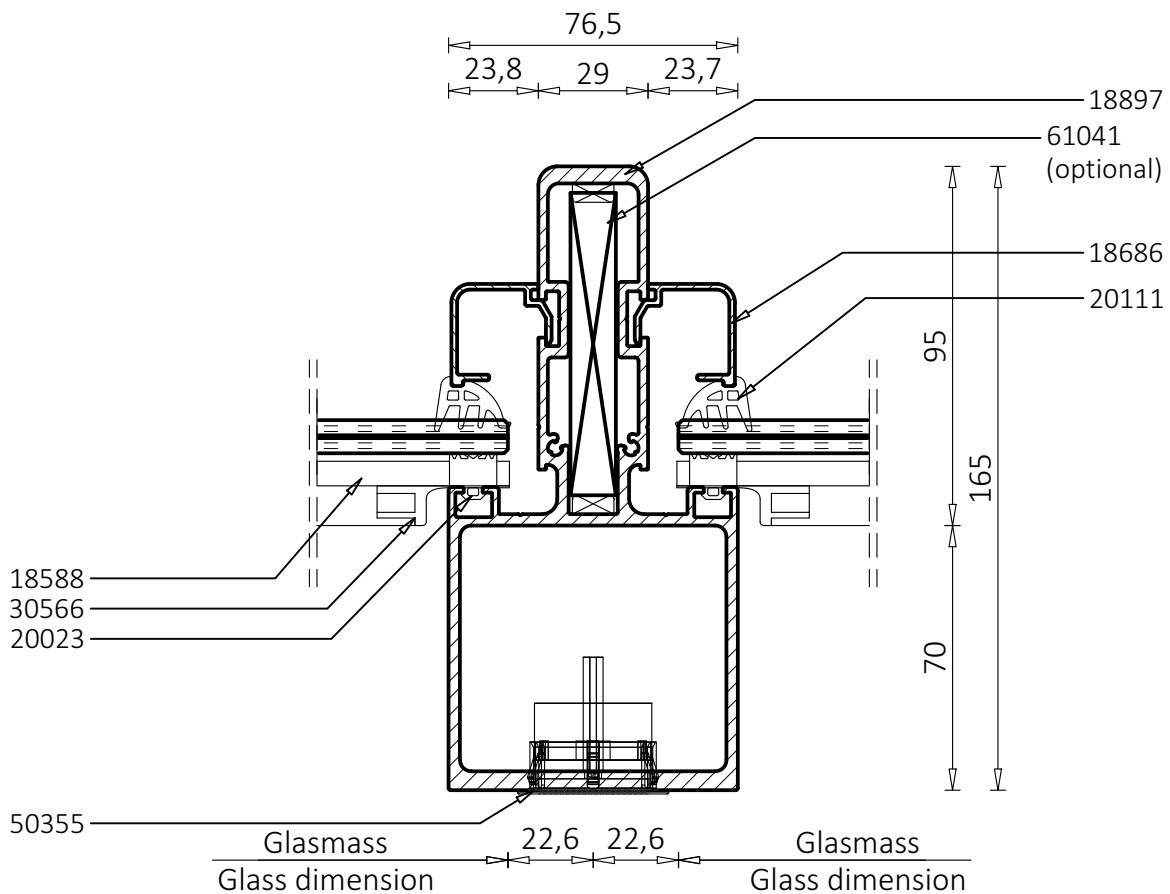
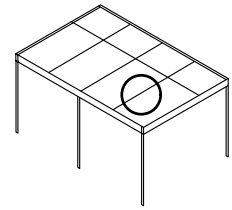




**Vertical section rafter 165i with optional steel, reinforcement
(80 x 12mm)**

CUBO_V17

Masstab / Scale 1:2

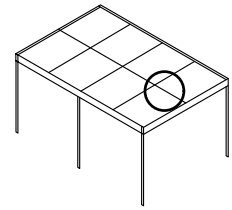




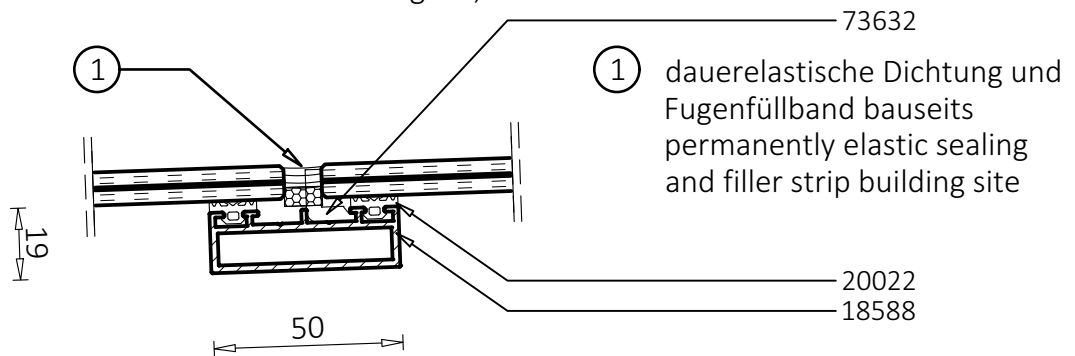
Vertical section transom with laminated glass / insulated glass / panels

CUBO_V18

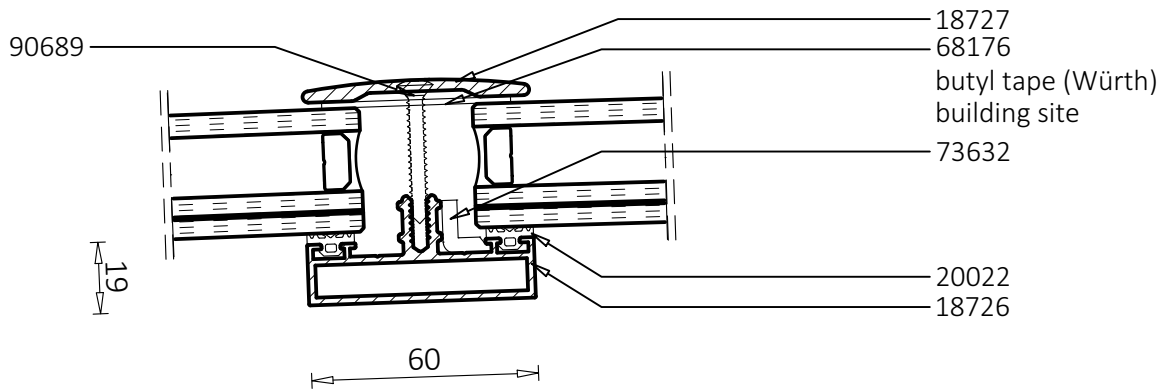
Masstab / Scale 1:2



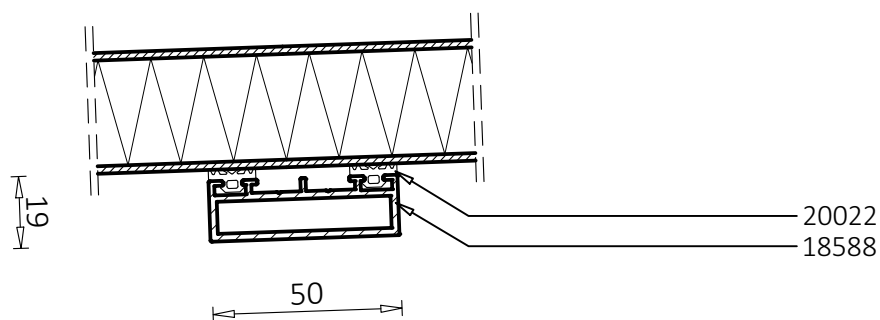
Sprosse mit Verbundglas, versiegelt
transom with laminated glass, sealed



Sprosse mit Isolierglas, verschraubt
transom with insulated glass, screwed



Sprosse mit Paneel, durchgehend
transom with panels, continuous

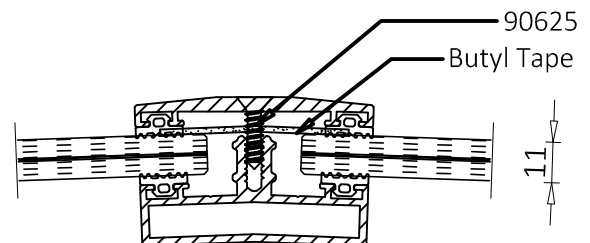
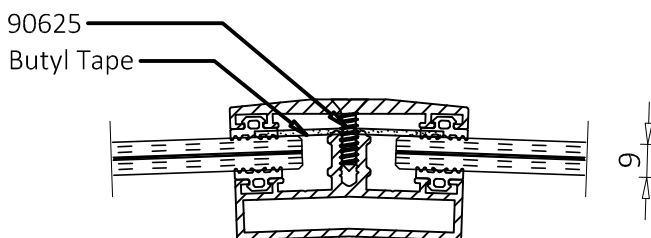
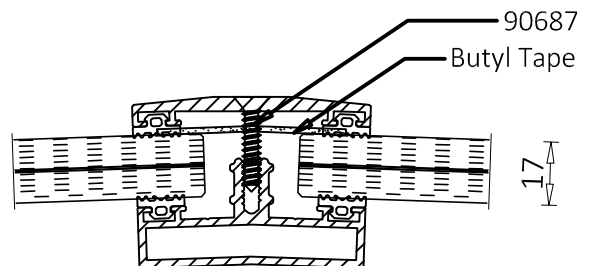
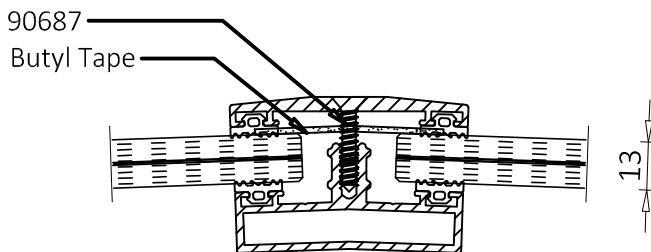
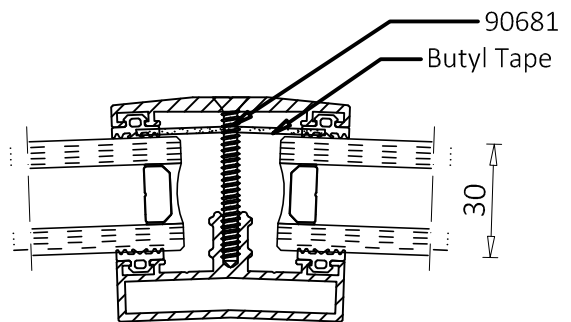
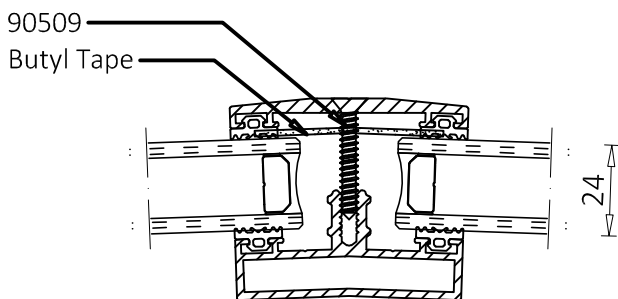
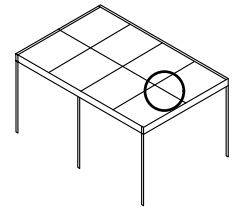




Vertical section saddle rung

CUBO_V23

Masstab / Scale 1:2

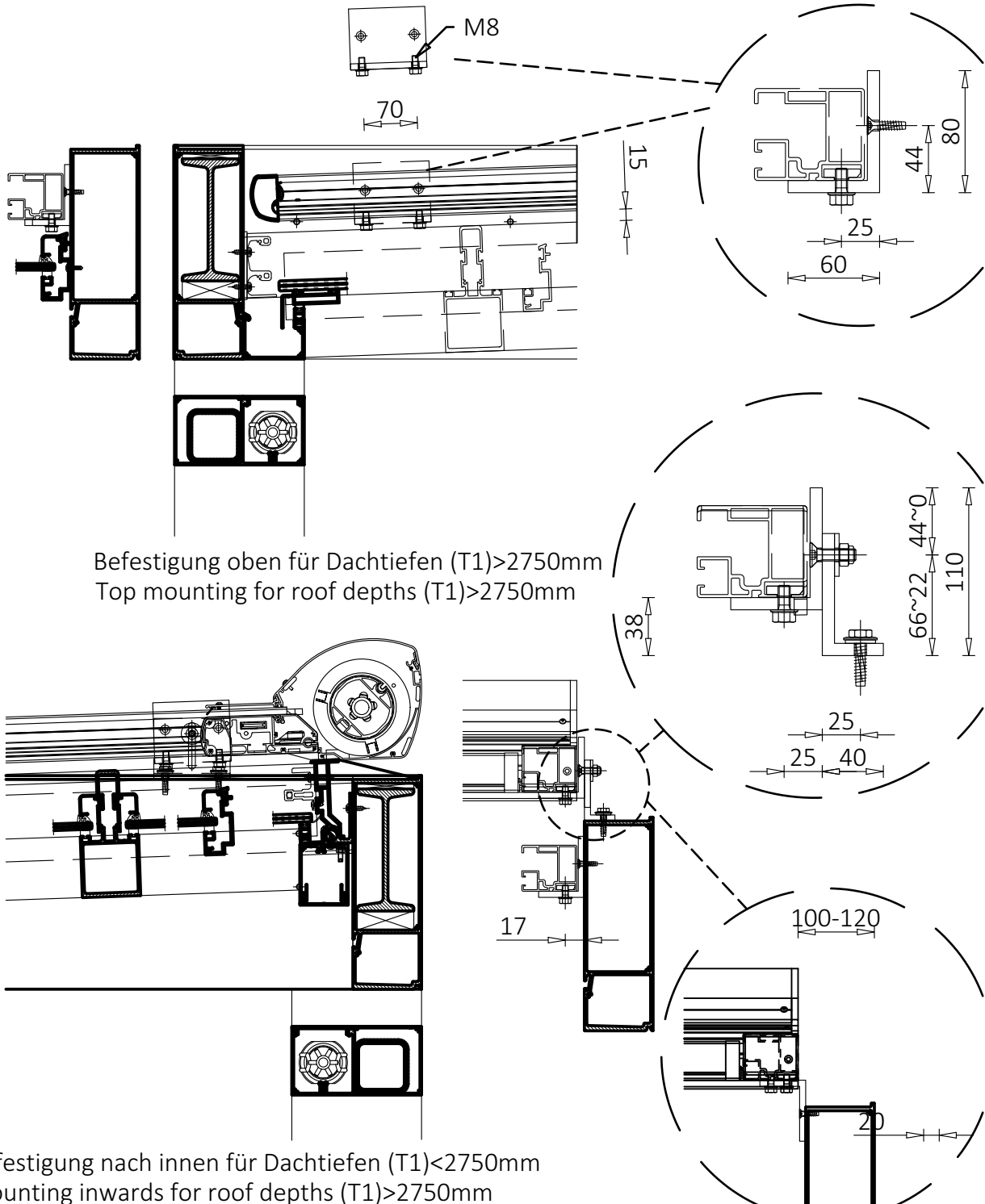
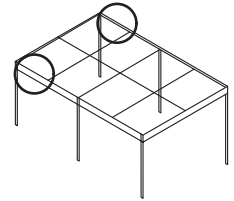




Vertical section universal angels for shading

CUBO_V21

Masstab / Scale 1:4



Befestigung oben für Dachtiefen (T1) > 2750mm
Top mounting for roof depths (T1) > 2750mm

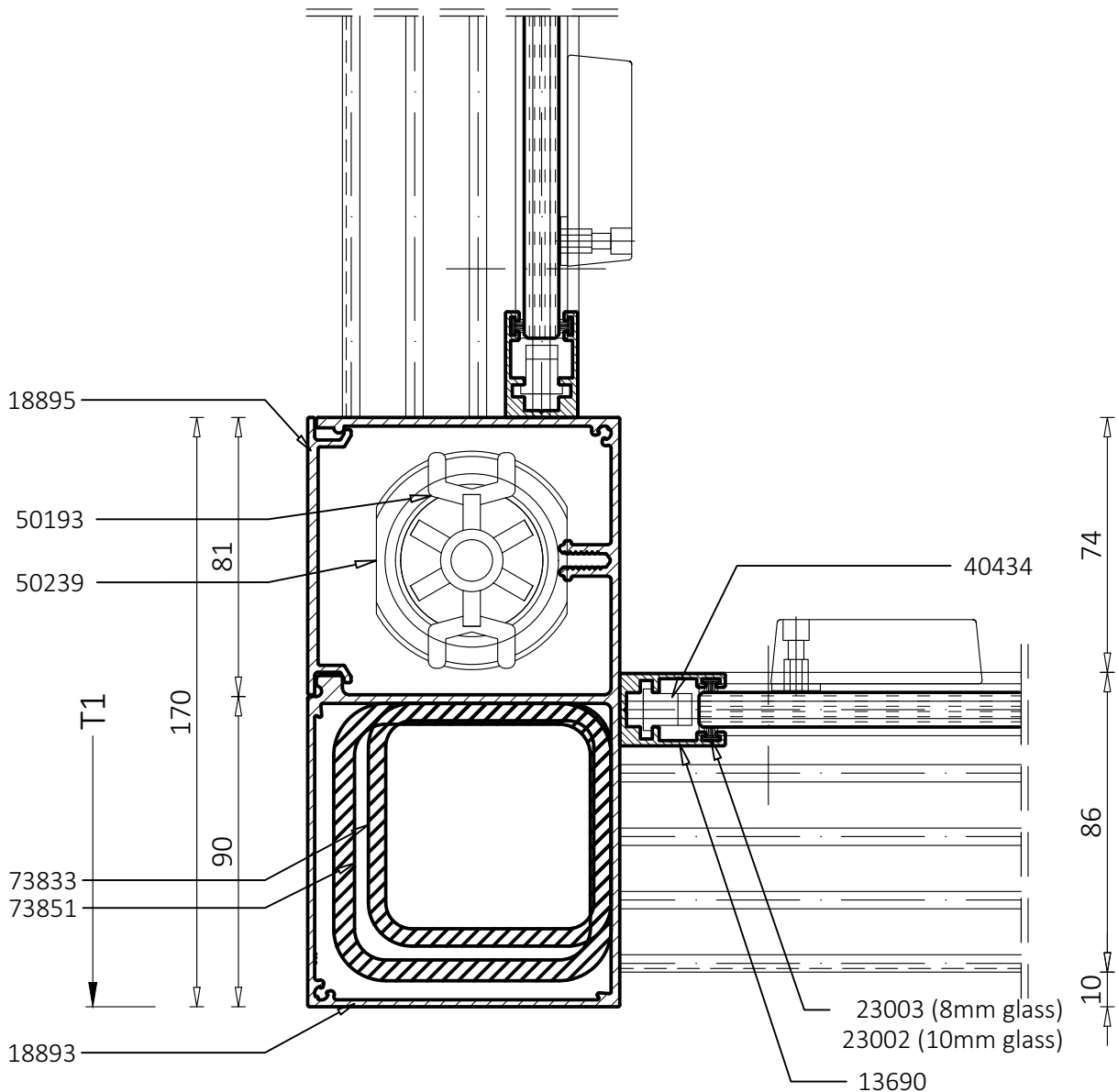
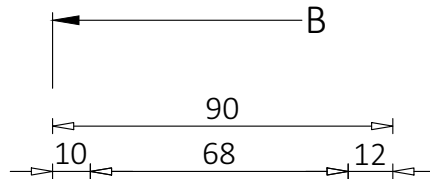
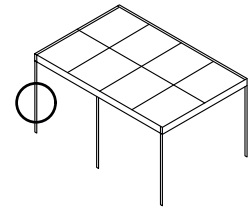
Befestigung nach innen für Dachtiefen (T1) < 2750mm
Mounting inwards for roof depths (T1) < 2750mm



Horizontal section corner posts 170/90 with VG15/17

CUBO_H02

Masstab / Scale 1:2

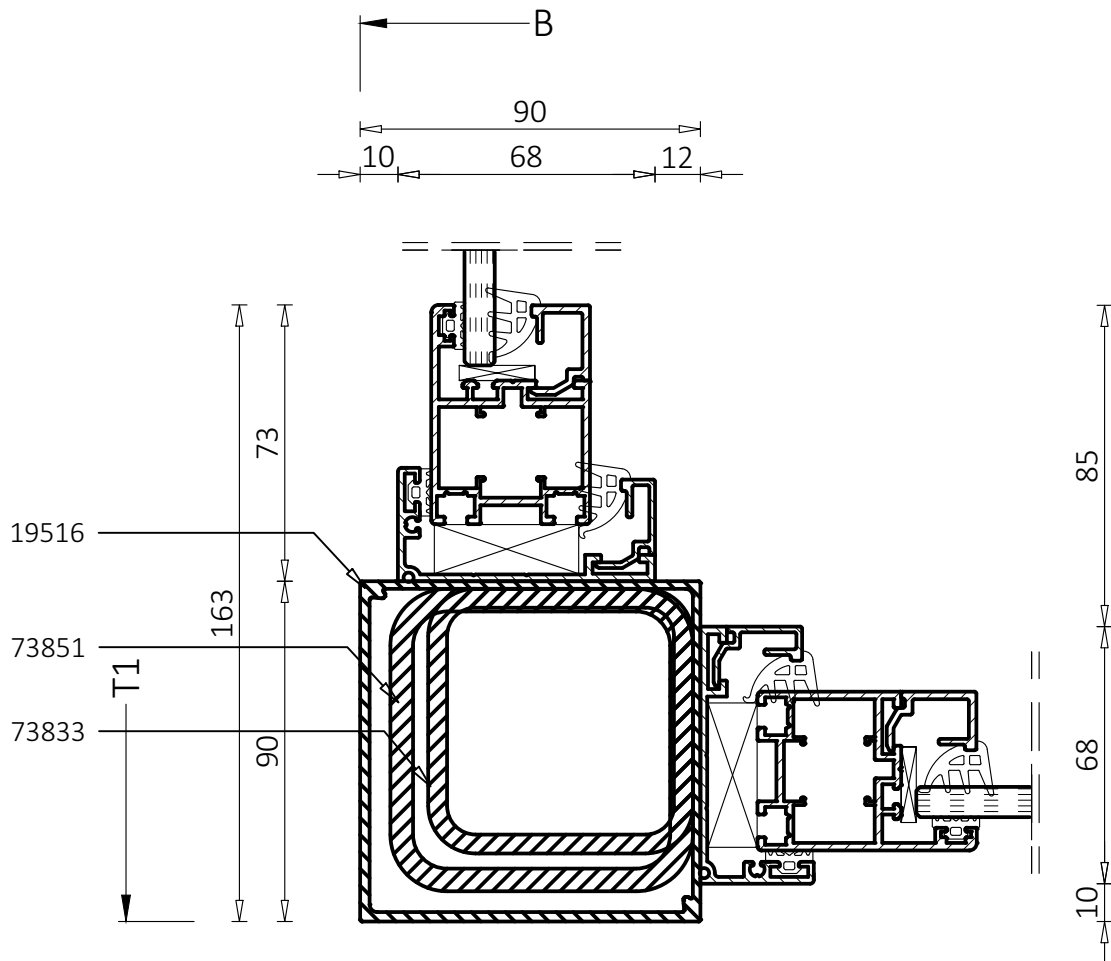
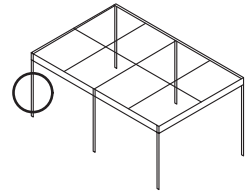




Horizontal section corner posts 90/90, and Fiesta 42 with element fixing

CUBO_H09

Masstab / Scale 1:3

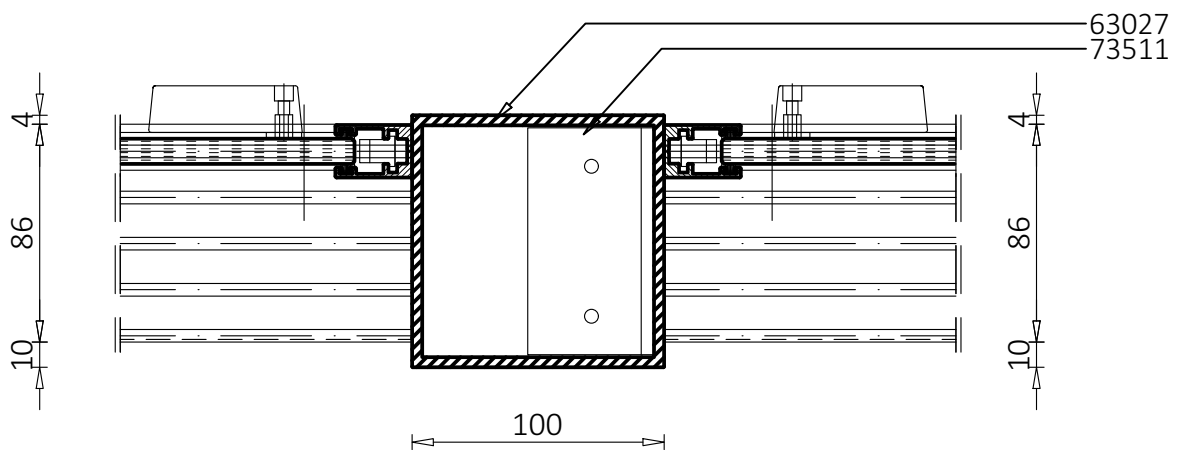
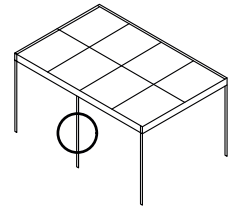




Horizontal section central post 100/100/4 with VG15/17

CUBO_H04

Masstab / Scale 1:3

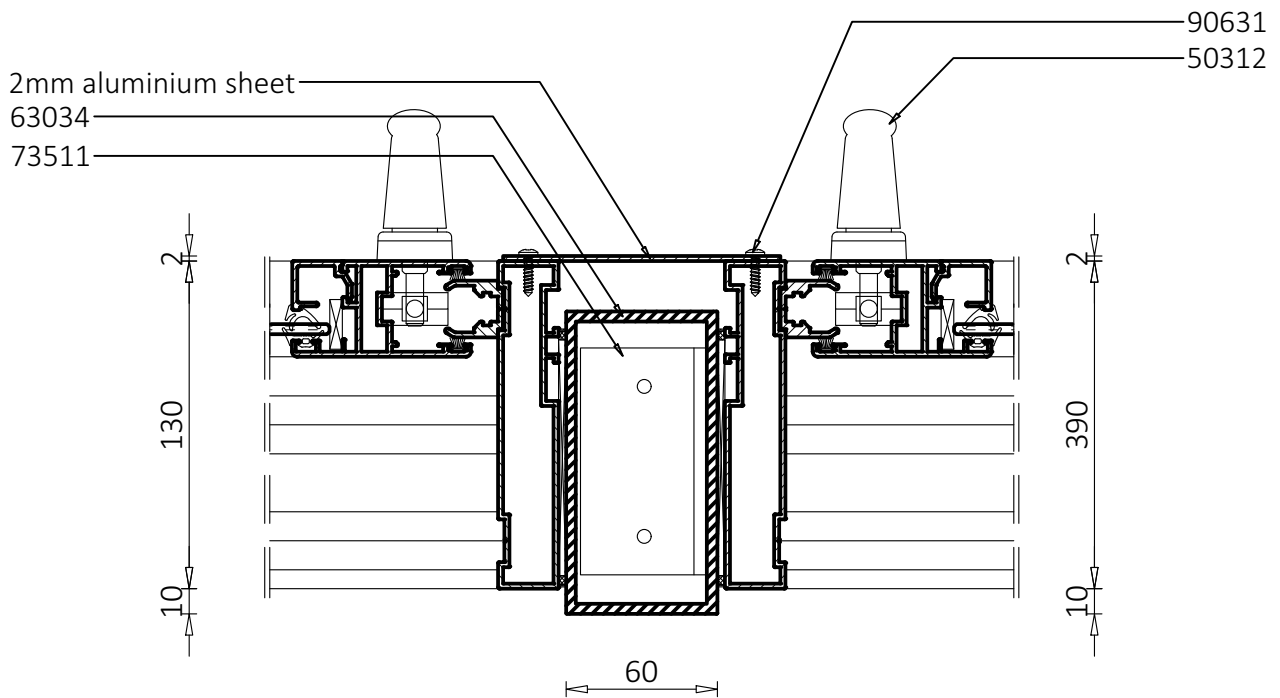
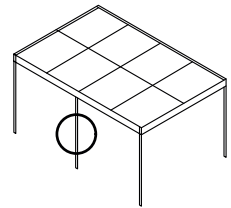




Horizontal section central post 120/60/4 with Ideal 38

CUBO_H05

Masstab / Scale 1:3

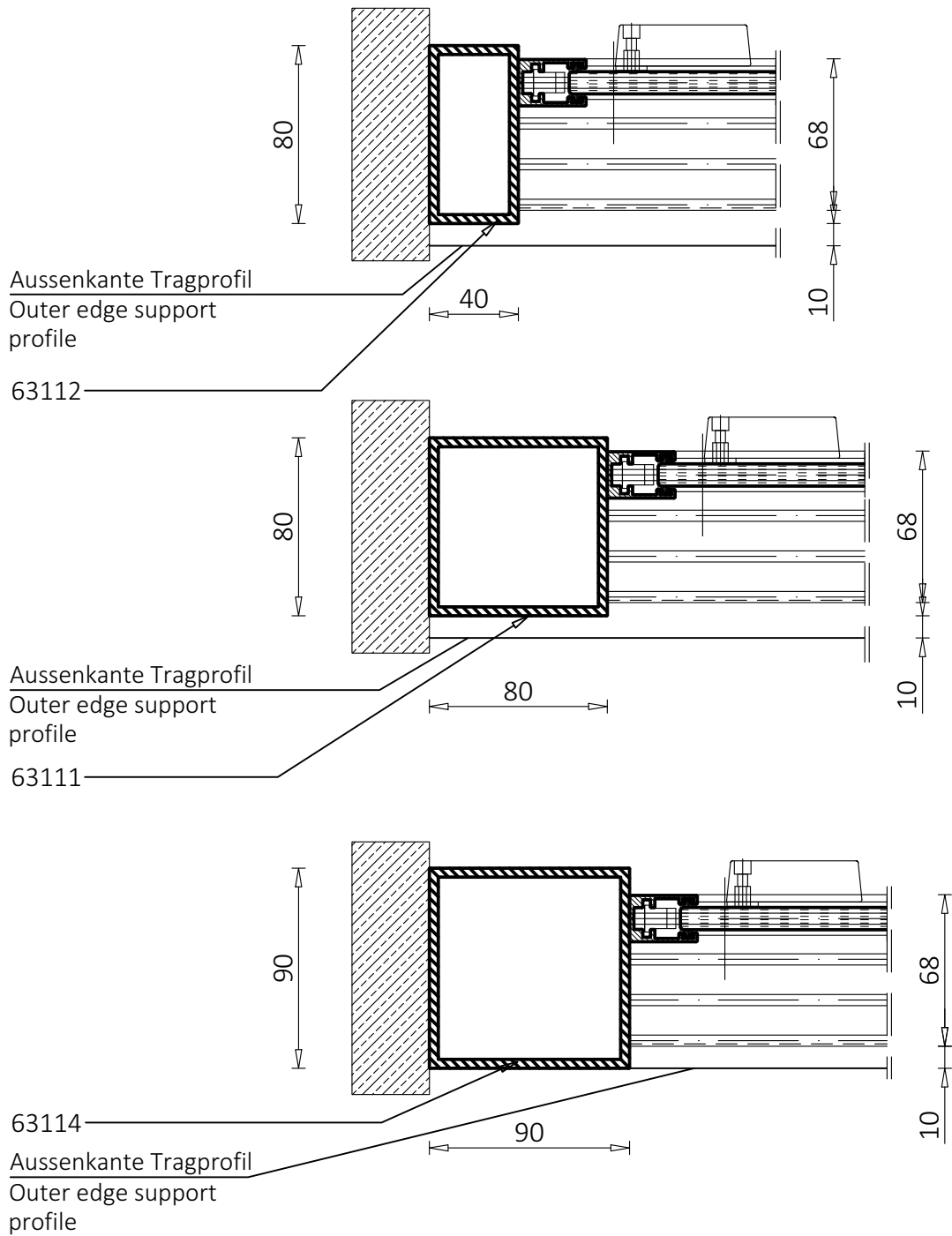
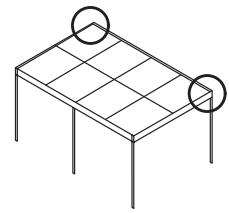




Horizontal section wall connection 80/40/4 - 80/80/4 - 90/90/4

CUBO_H08

Masstab / Scale 1:3

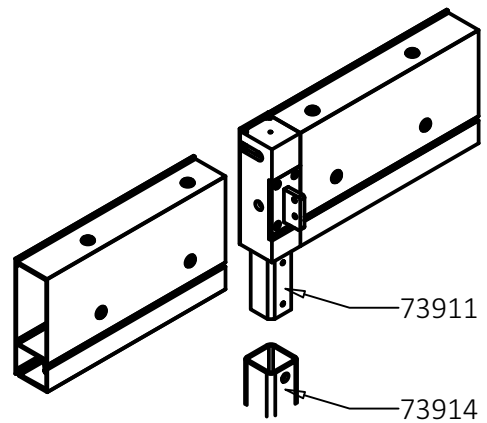
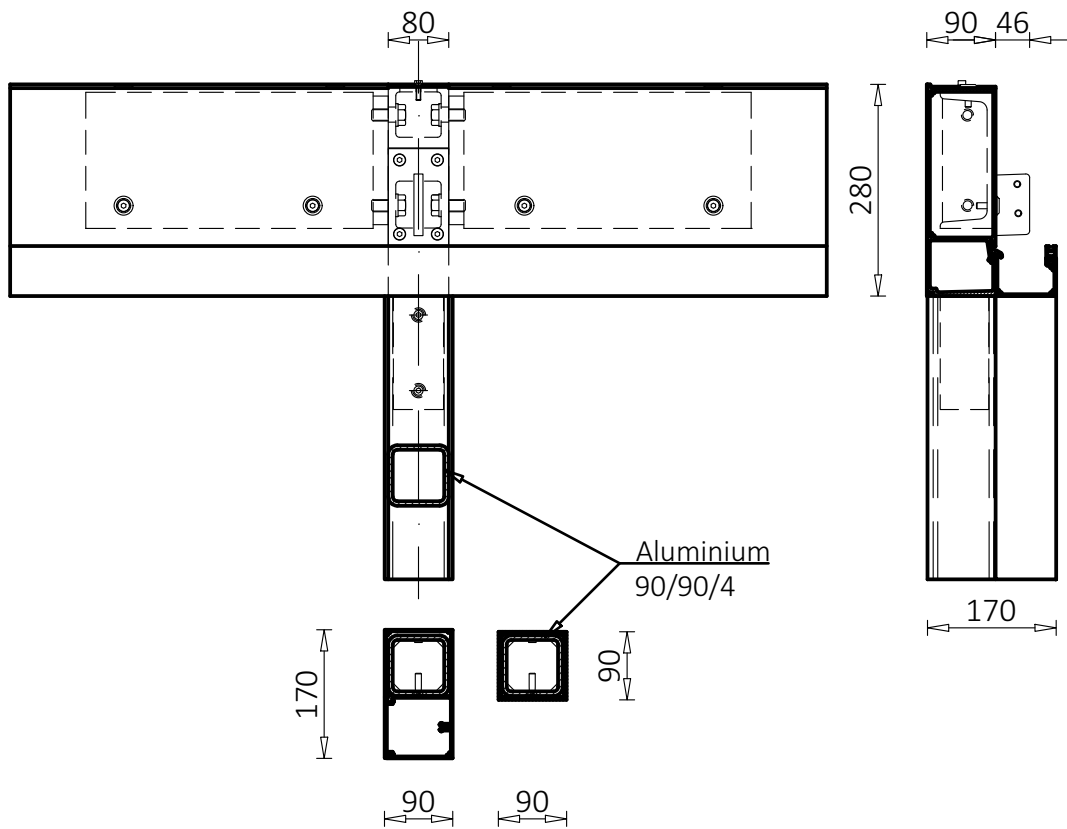
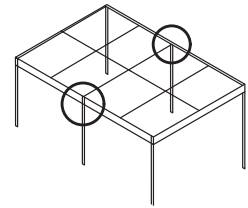




Detail T-connector

CUBO_H06

Masstab / Scale 1:10

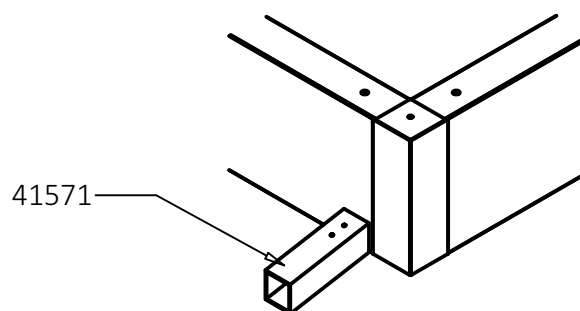
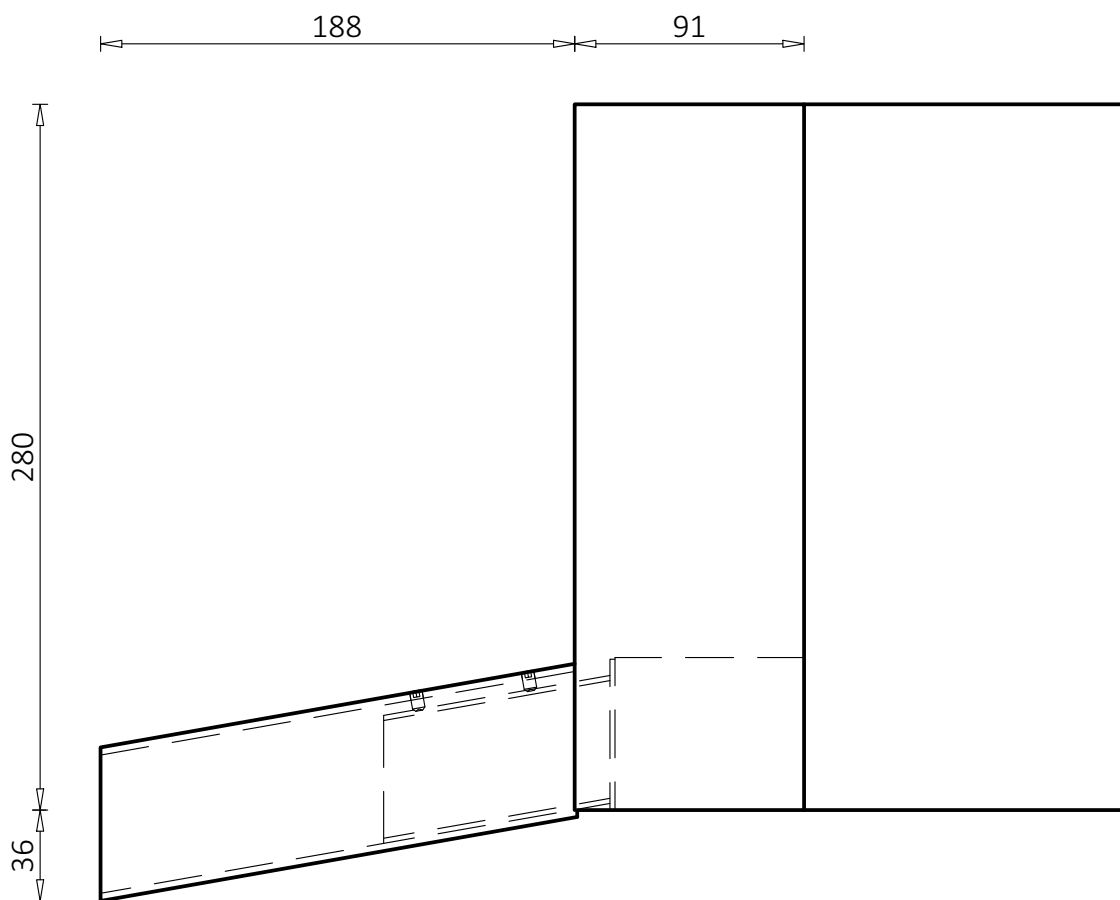
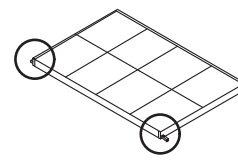




Detail corner connection freestanding with spitter

CUBO_H07

Masstab / Scale 1:3

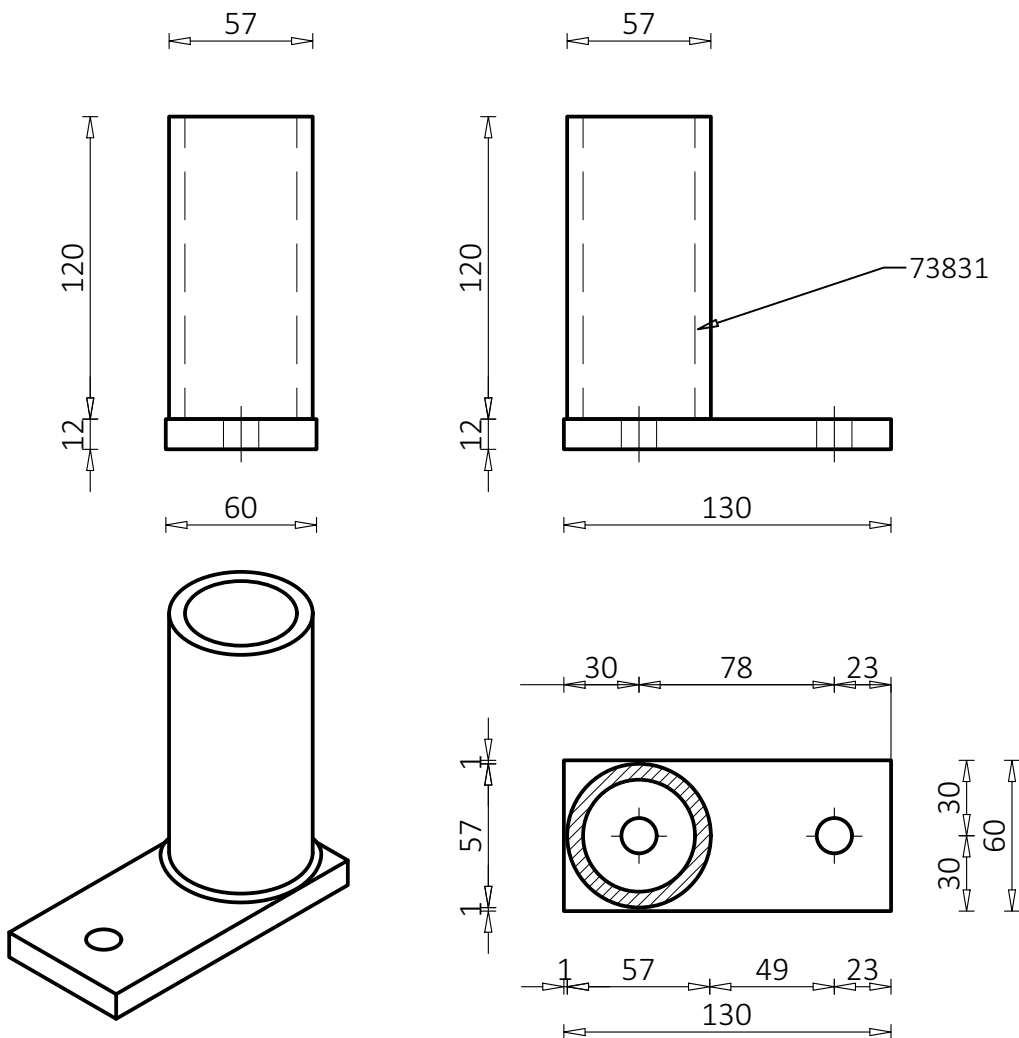
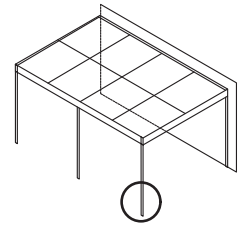




Detail foot plate with fixed height

CUBO_D01

Masstab / Scale 1:3

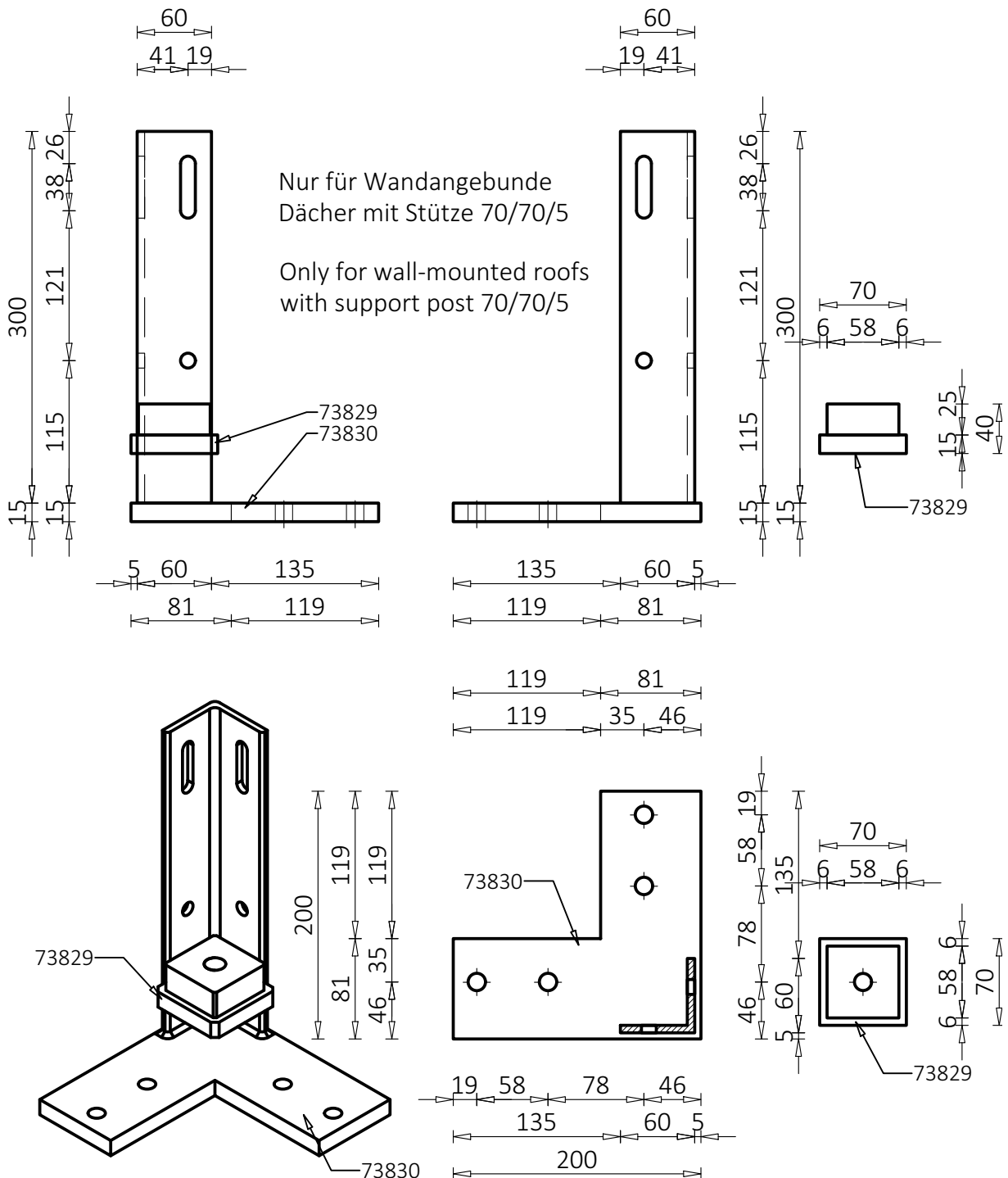
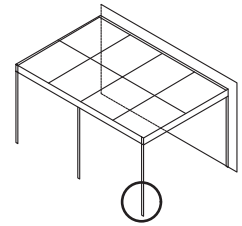




Detail foot plate with adjustable height

CUBO_D02

Masstab / Scale 1:5

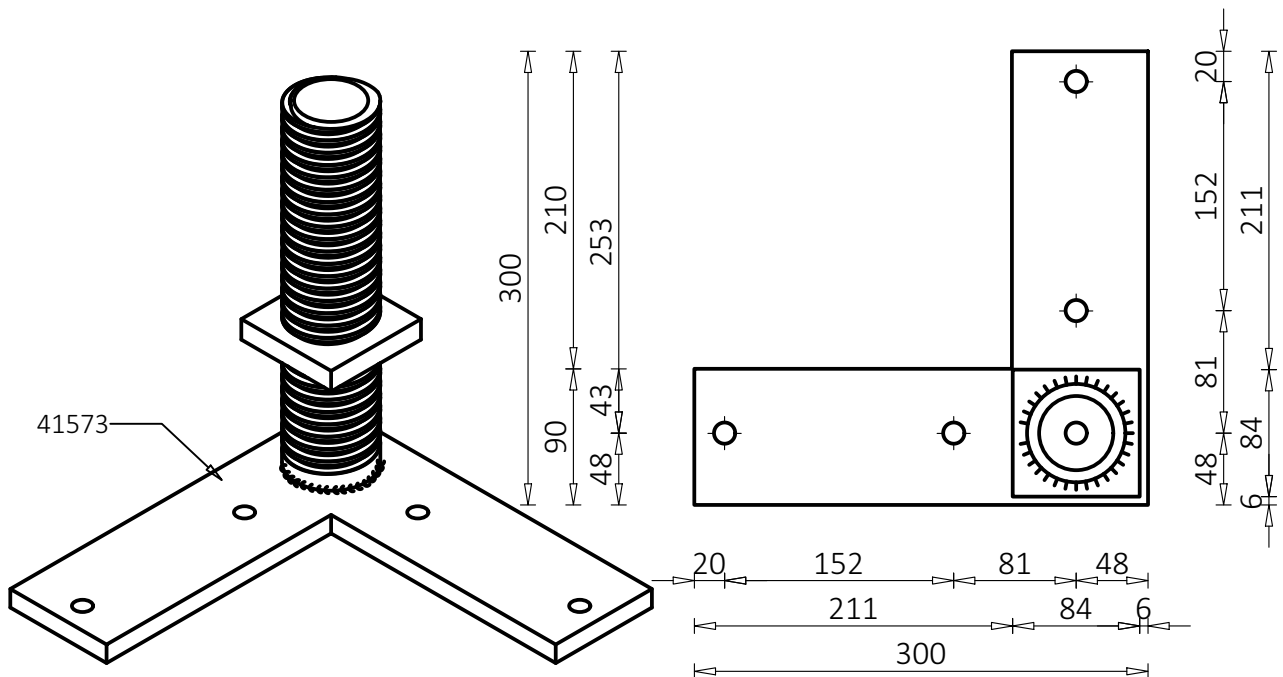
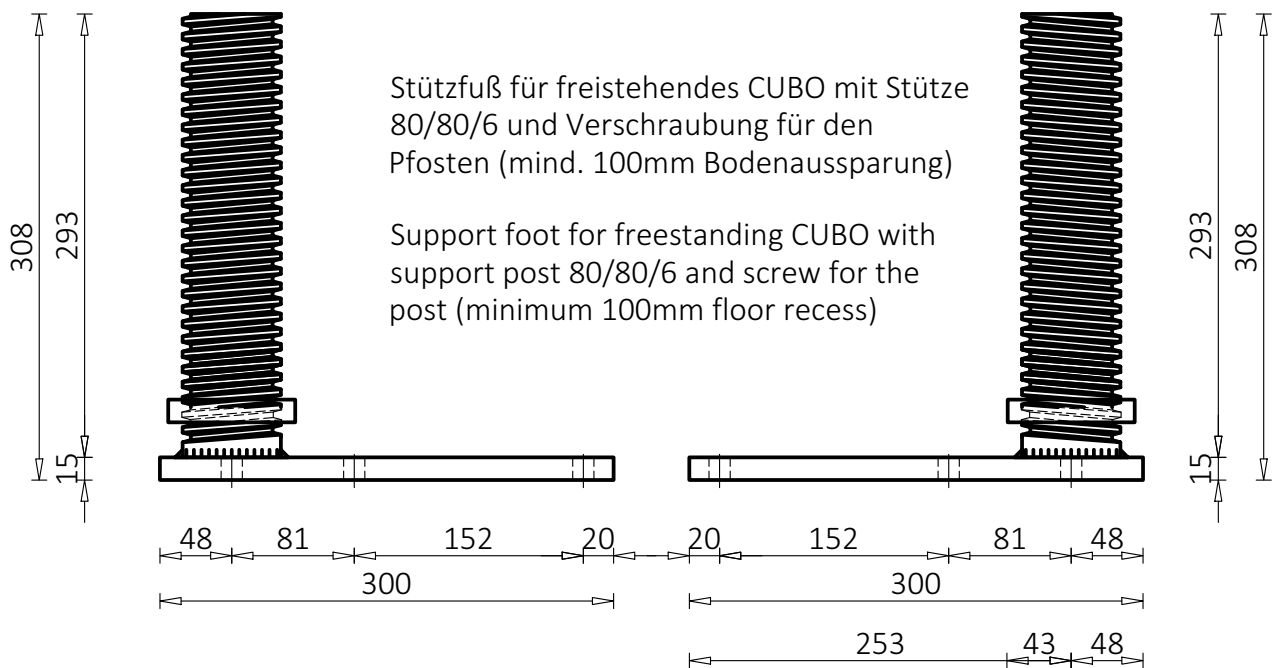
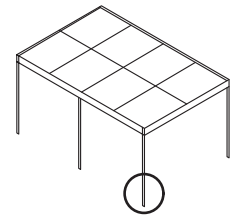




Detail foot plate with adjustable height for freestanding constructions

CUBO_D03

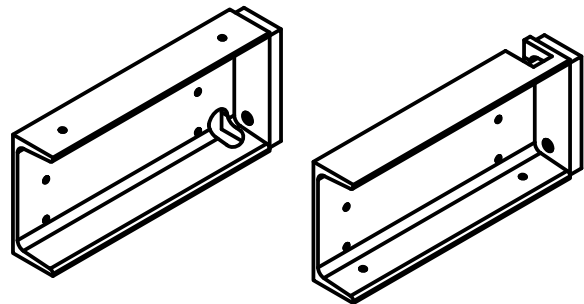
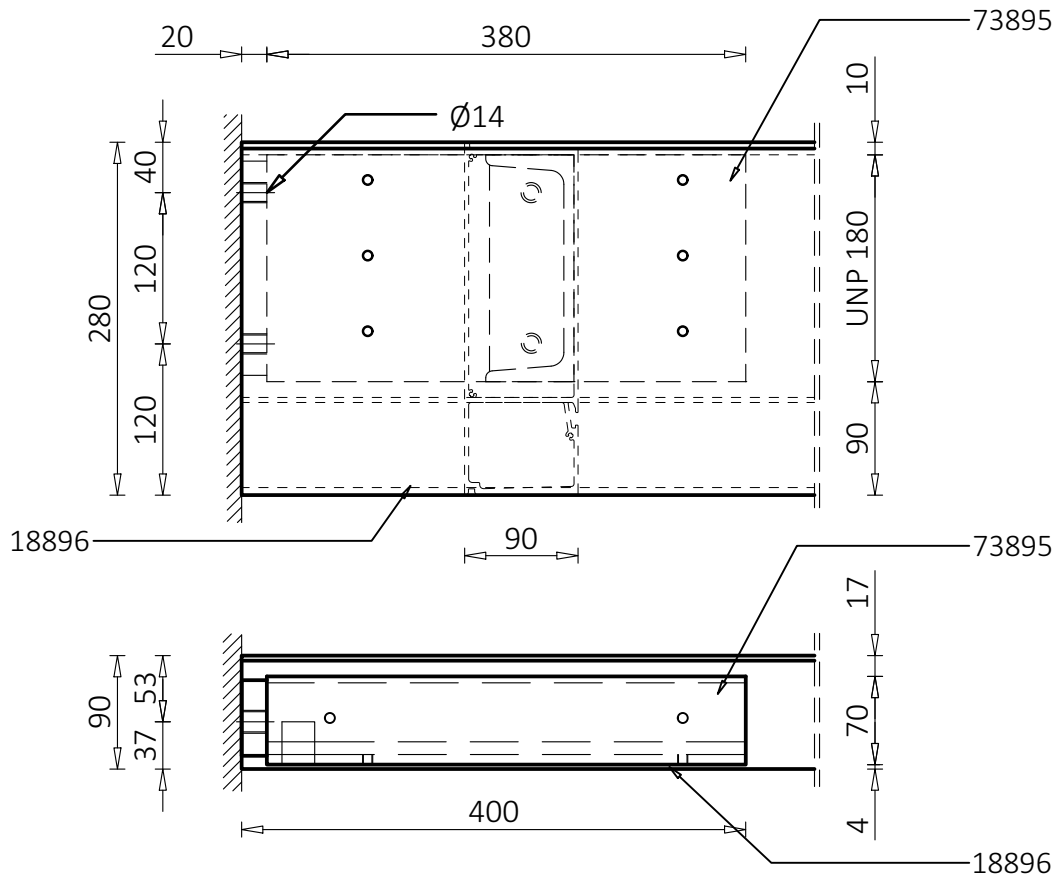
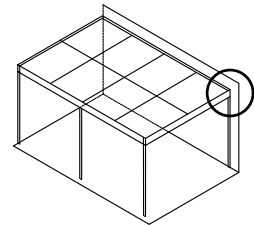
Masstab / Scale 1:5



Detail connection carrier on wall

CUBO_D06

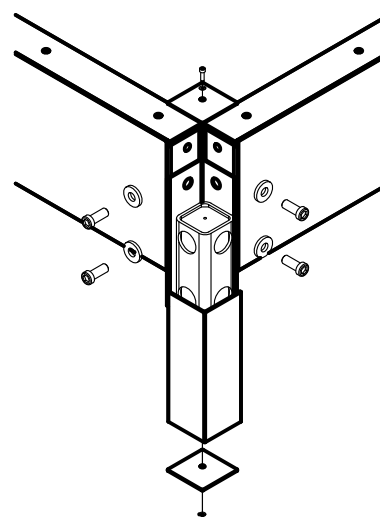
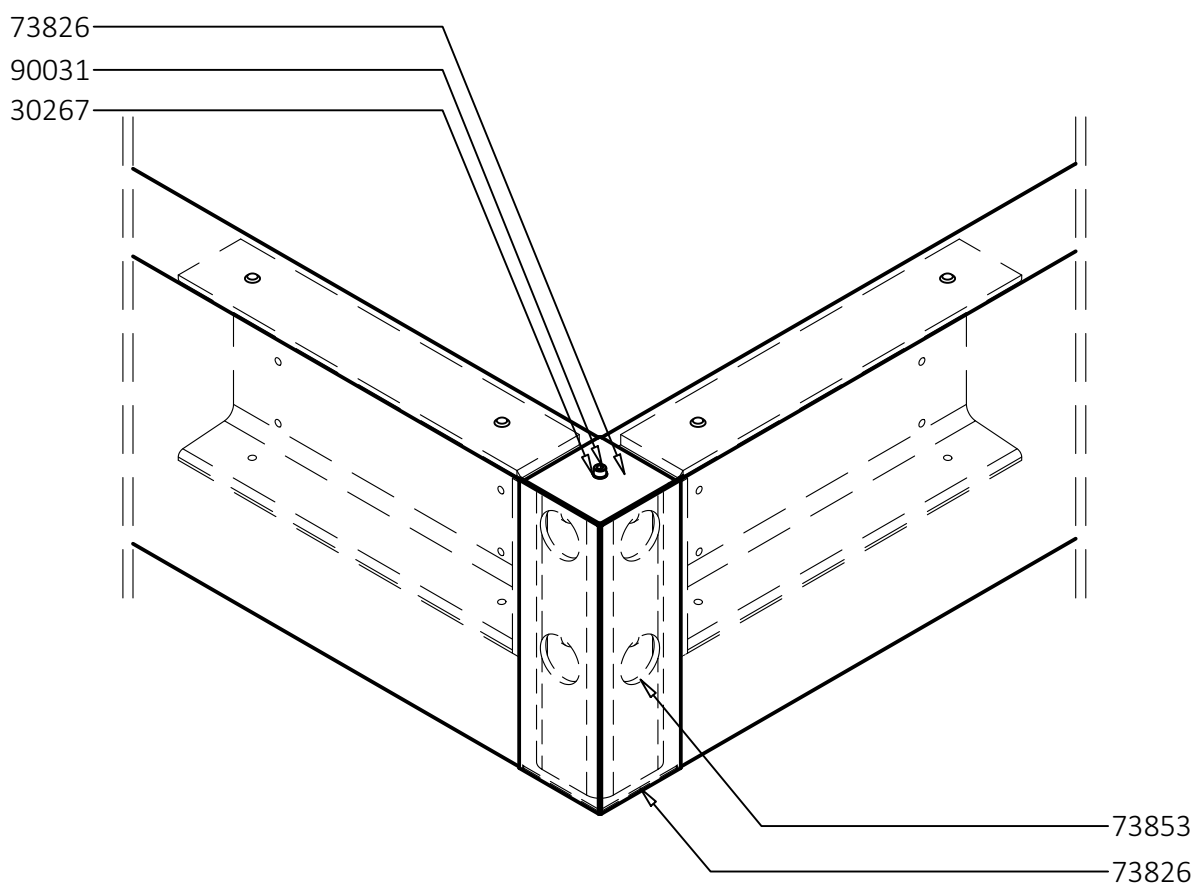
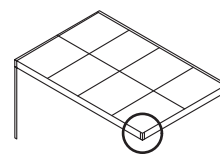
Masstab / Scale 1:2



Detail corner connection 90° without post

CUBO_D05

Masstab / Scale 1:3

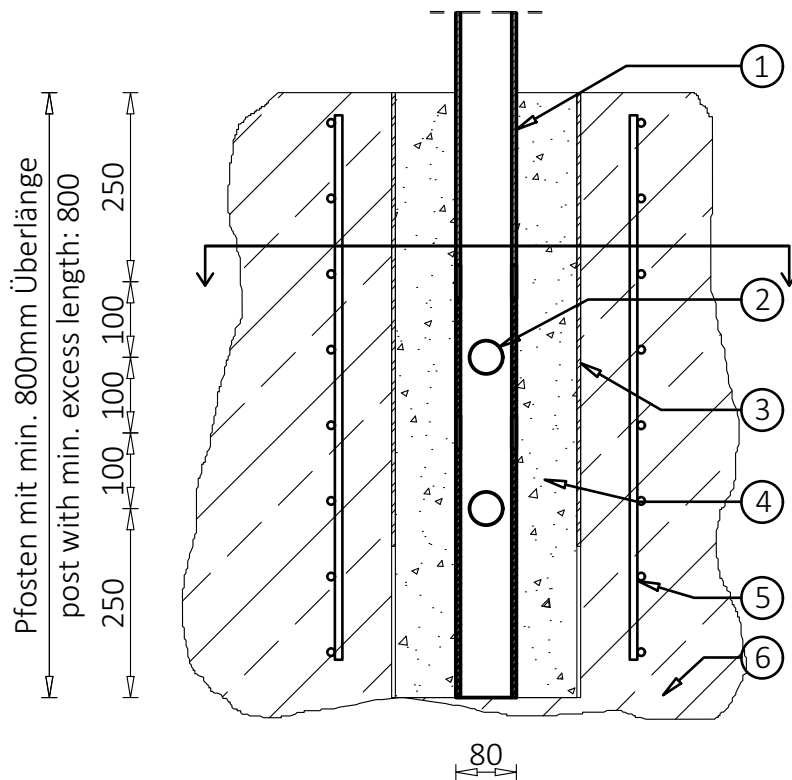
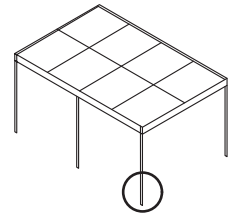




Structural attachment point foundation

CUBO_B01

Masstab / Scale 1:10



- ① Pfosten 80x80x6 mit min. 800mm Überlänge von FF ist Teil der Lieferung von SUNPARADISE AG

Support 80x80x6 with min. 800mm excess length from FF is part of the delivery from SUNPARADISE AG

- ② 44mm Löcher für Beton Füllung (Formschluss)

44mm holes for concrete filling (positive fit)

- ③ Hülsenfundament Aussparung mindestens 250mm

Sleeve foundation recess at least 250mm

- ④ Füllmaterial bausetz (z.B. schnell aushärtender Beton)

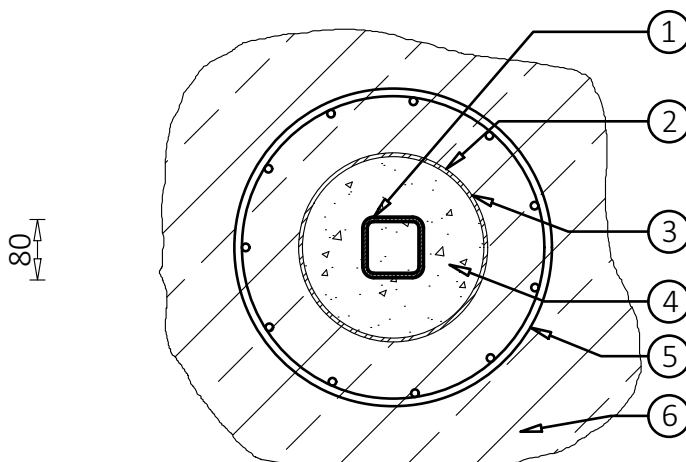
Fill material building site (for example fast curing concrete)

- ⑤ Stahlarmierung

Steel reinforcement

- ⑥ Köcherfundament

Point foundation with reinforced concrete



Die Abmessungen des Betonfundaments sind bauseitig festzulegen!

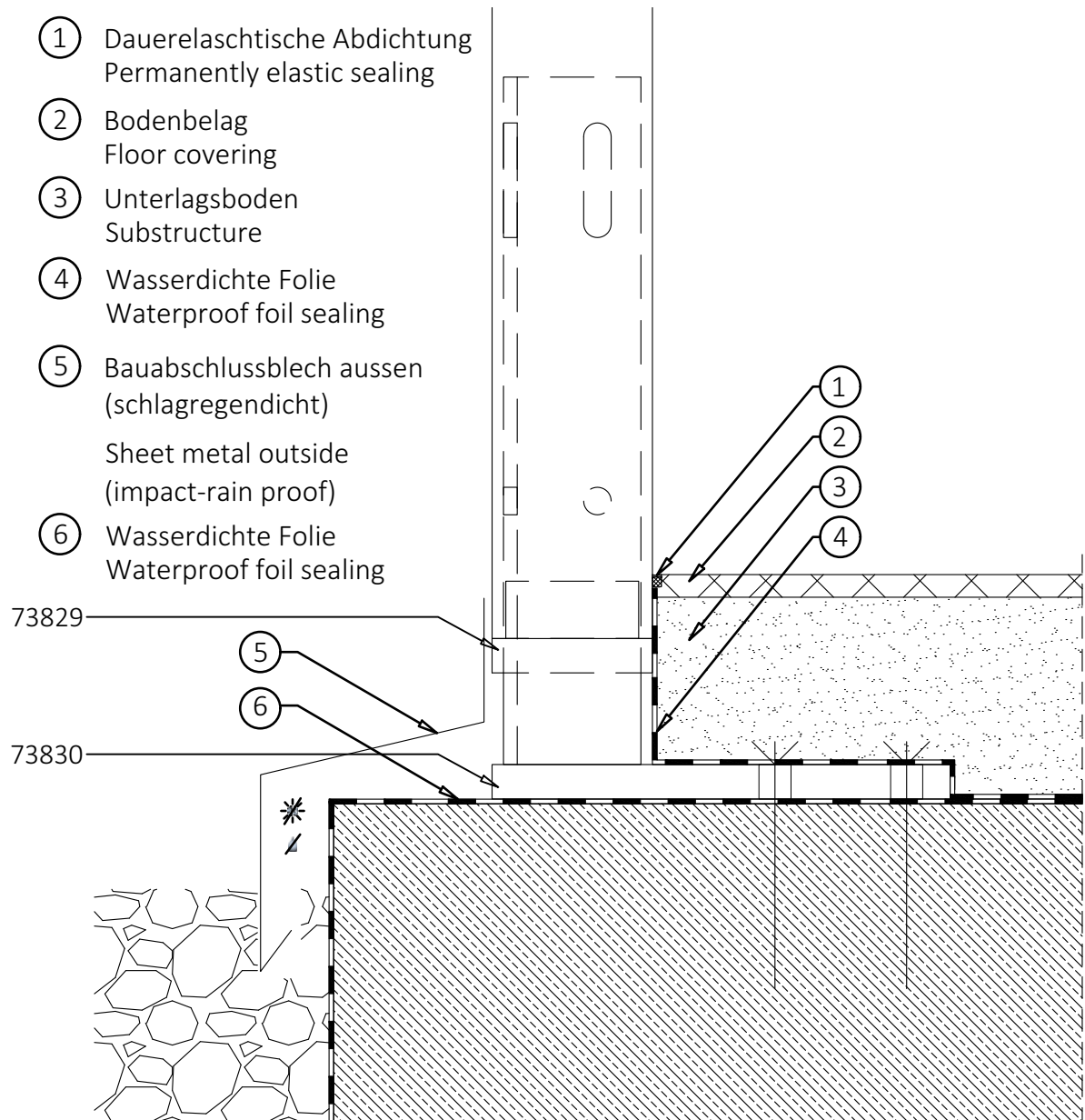
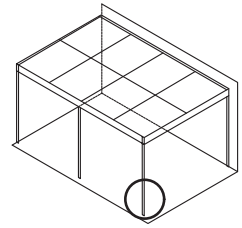
The dimension of the concrete foundation are to be defined by customer!



Structural attachment floor connection

CUBO_B02

Masstab / Scale 1:3



Die Dimensionierung des Befestigungsmaterials ist nach den örtlichen Richtlinien und statischen Vorgaben auszuführen. Eine optimale Abdichtung besteht aus einer wasserdampfdurchlässigen Folie aussen und einer dampfdiffusions geschlossenen Folie innen.

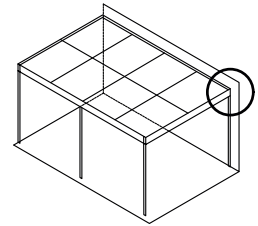
The dimensioning of fixing material is building site according to local guidelines and static specifications. A reliable seal consists of a a water vapor permeable seal outside and a vapor diffusion tight seal inside.



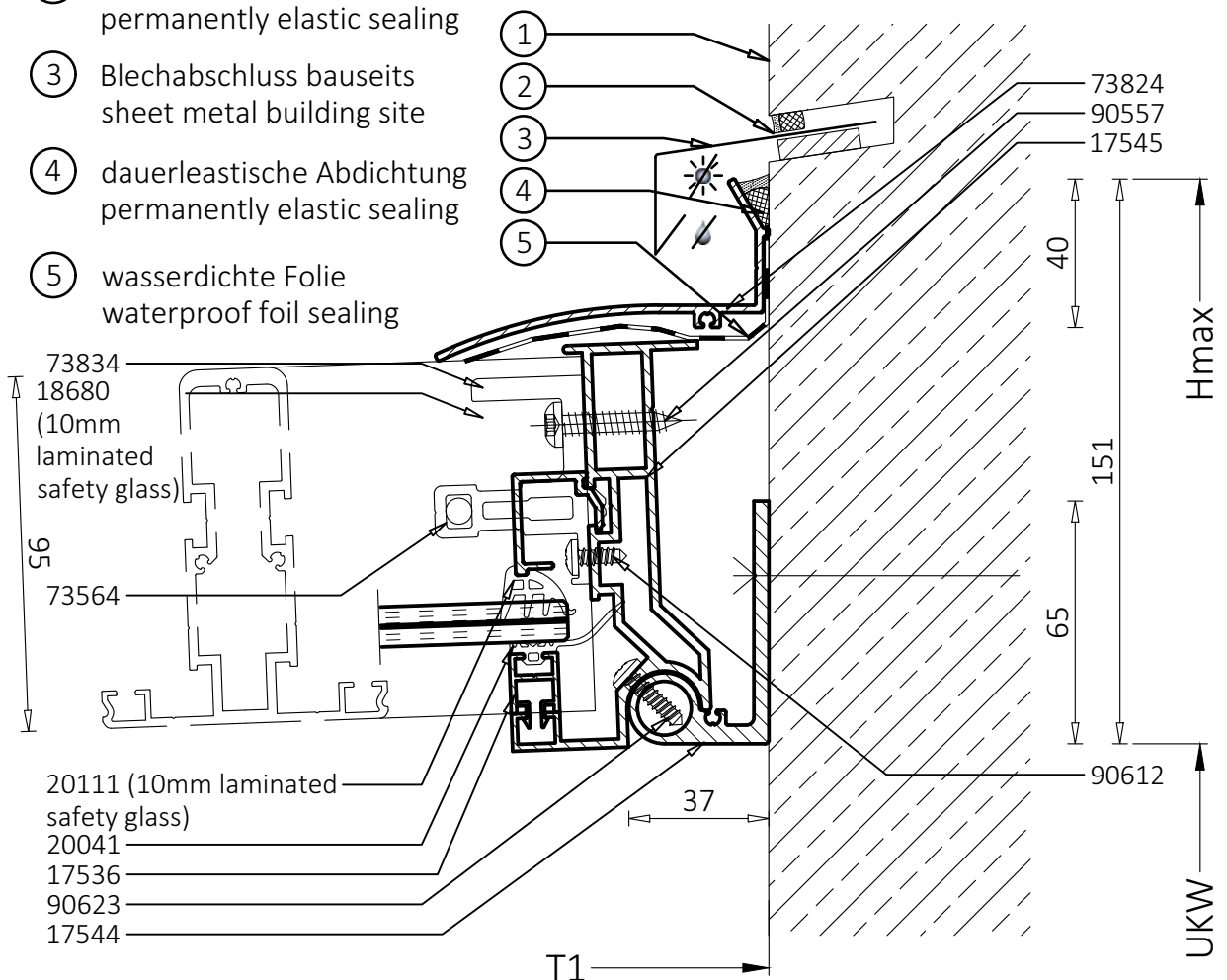
Structural attachment wall connection

CUBO_B03

Masstab / Scale 1:2



- ① Anschlusskonstruktion
supporting construction
- ② dauerelastische Abdichtung
permanently elastic sealing
- ③ Blechabschluss bauseits
sheet metal building site
- ④ dauerelastische Abdichtung
permanently elastic sealing
- ⑤ wasserdichte Folie
waterproof foil sealing



Die Dimensionierung des Befestigungsmaterials ist nach den örtlichen Richtlinien und statischen Vorgaben auszuführen. Eine optimale Abdichtung besteht aus einer wasserdampfdurchlässigen Folie aussen und einer dampfdiffusions geschlossenen Folie innen.

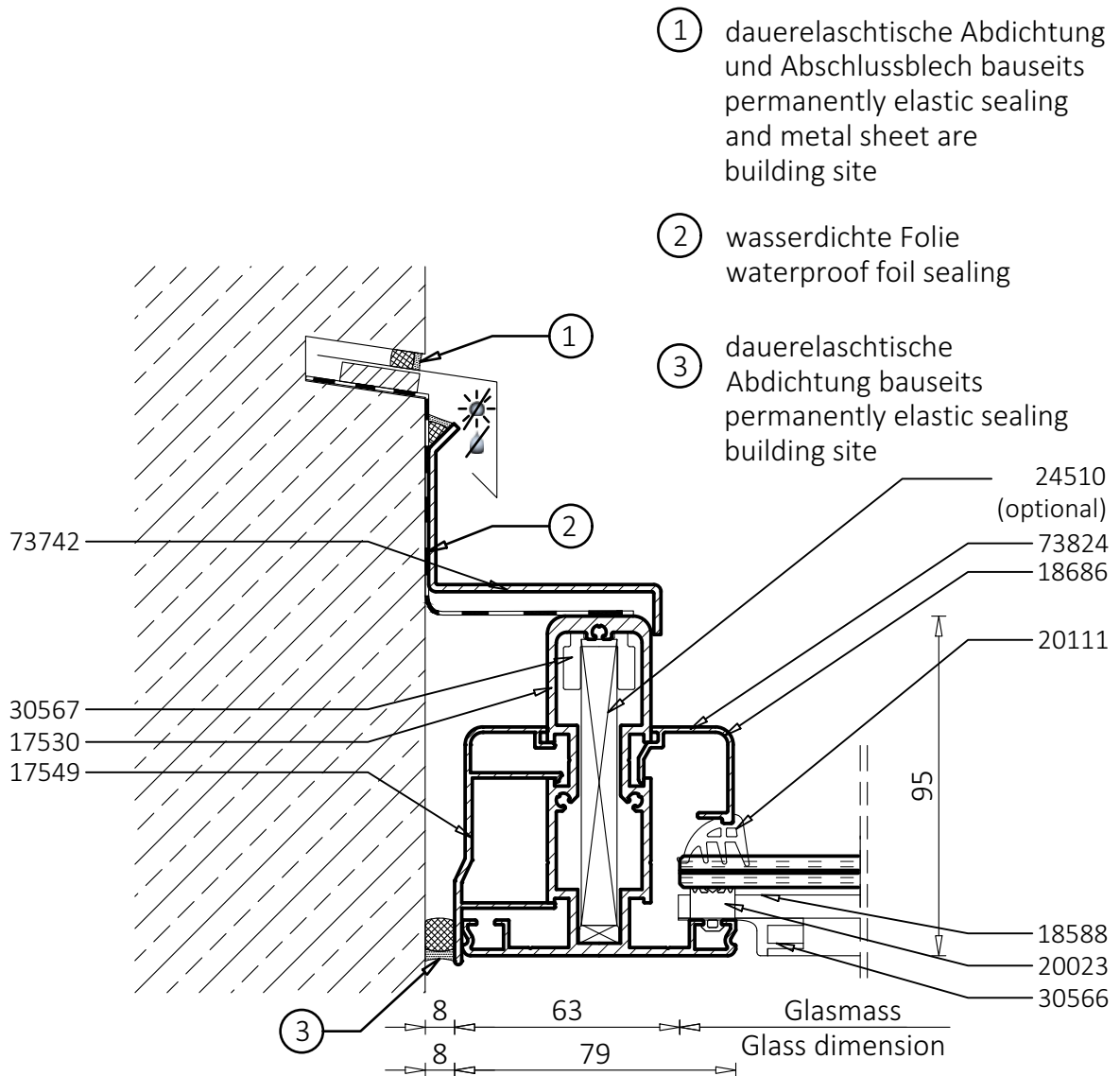
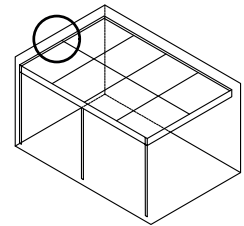
The dimensioning of fixing material is building site according to local guidelines and static specifications. A reliable seal consists of a a water vapor permeable seal outside and a vapor diffusion tight seal inside.



Structural attachment rafter 95 wall connection

CUBO_B04

Masstab / Scale 1:2



Die Dimensionierung des Befestigungsmaterials ist nach den örtlichen Richtlinien und statischen Vorgaben auszuführen. Eine optimale Abdichtung besteht aus einer wasserdampfdurchlässigen Folie aussen und einer dampfdiffusions geschlossenen Folie innen.

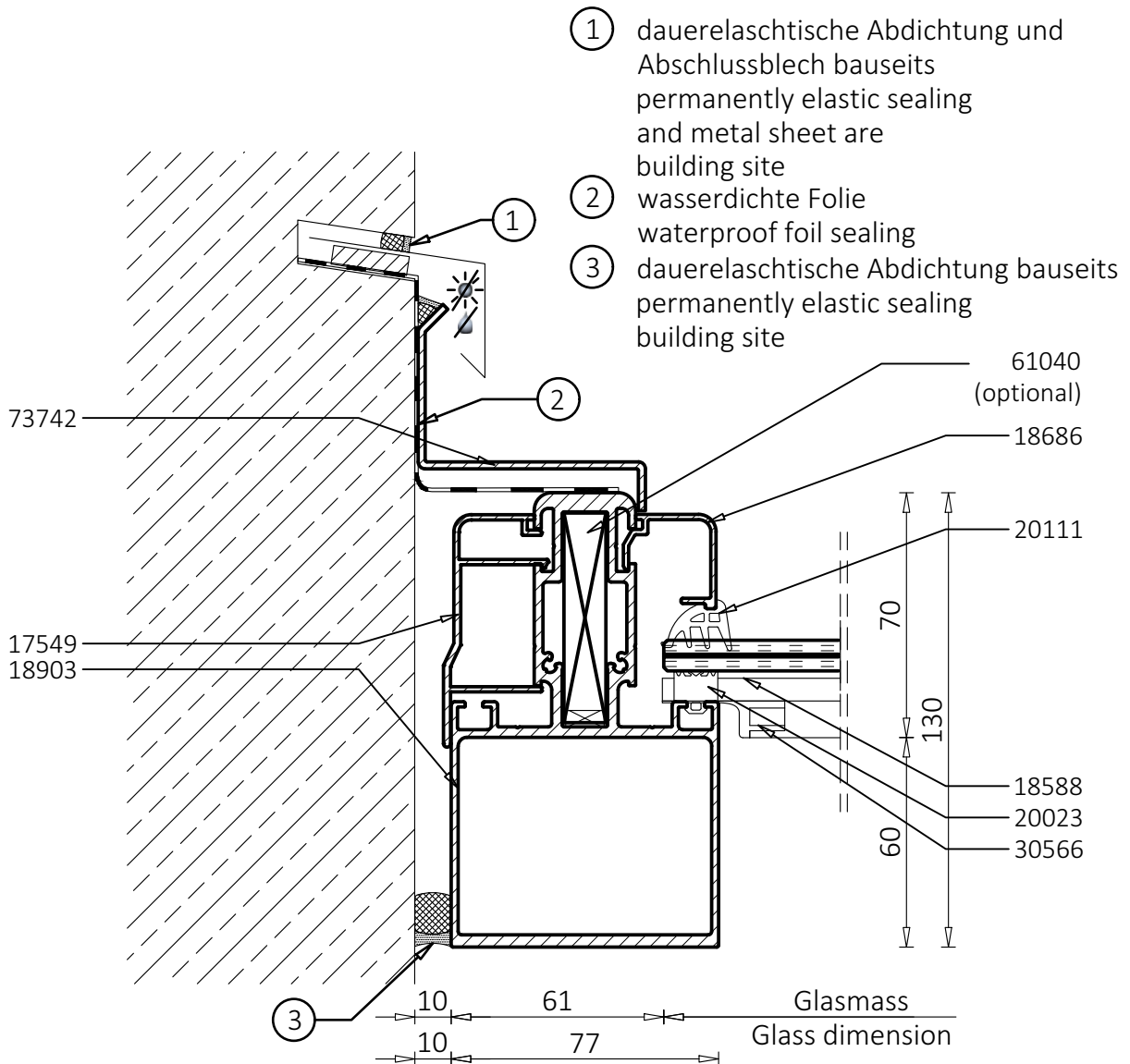
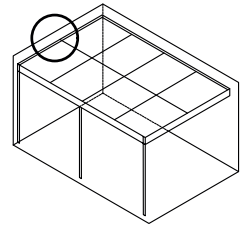
The dimensioning of fixing material is building site according to local guidelines and static specifications. A reliable seal consists of a a water vapor permeable seal outside and a vapor diffusion tight seal inside.



Structural attachment rafter 130i wall connection

CUBO_B05

Masstab / Scale 1:2



Die Dimensionierung des Befestigungsmaterials ist nach den örtlichen Richtlinien und statischen Vorgaben auszuführen. Eine optimale Abdichtung besteht aus einer wasserdampfdurchlässigen Folie aussen und einer dampfdiffusions geschlossenen Folie innen.

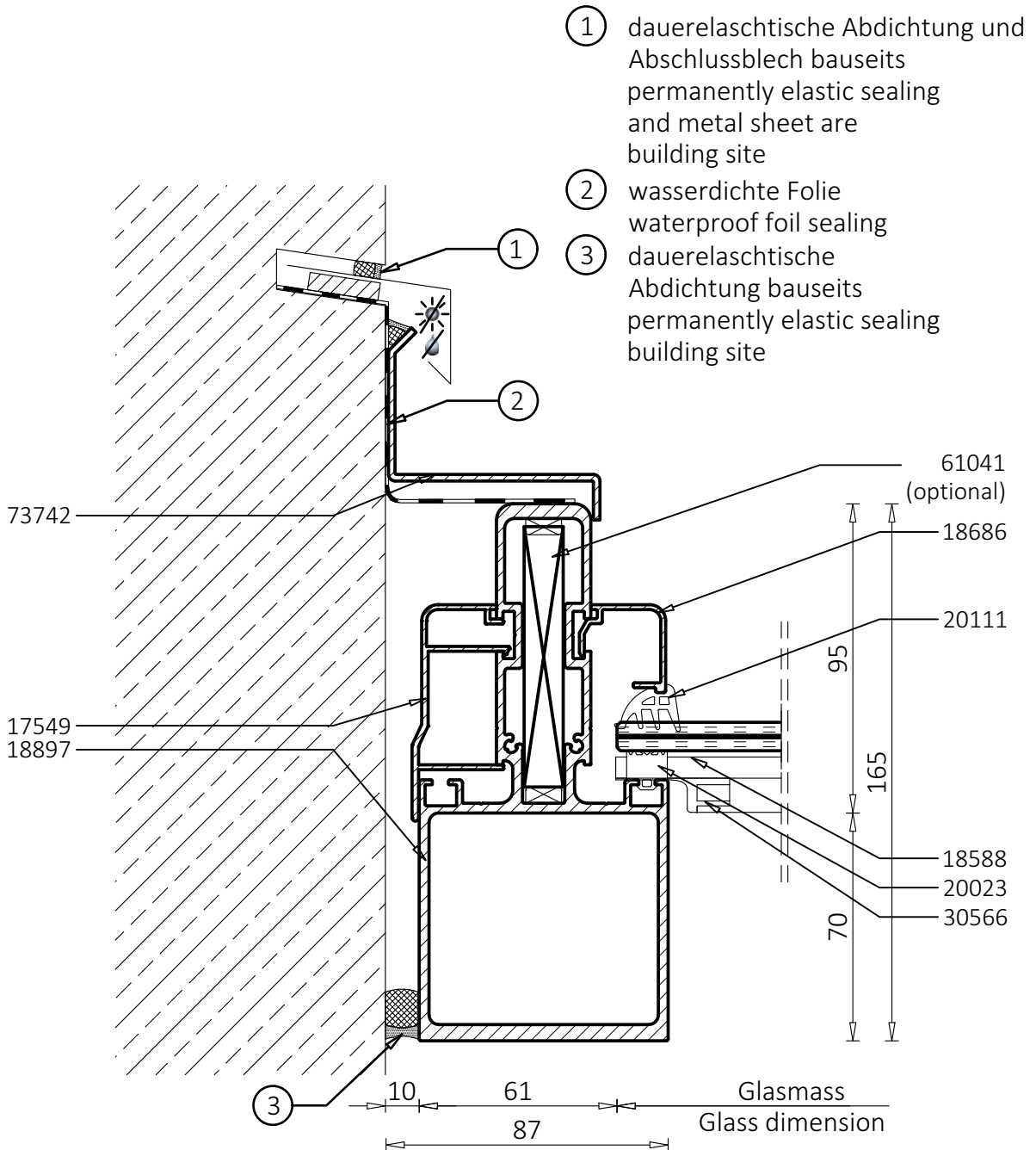
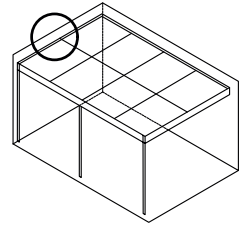
The dimensioning of fixing material is building site according to local guidelines and static specifications. A reliable seal consists of a a water vapor permeable seal outside and a vapor diffusion tight seal inside.



Structural attachment rafter 165i wall connection

CUBO_B06

Masstab / Scale 1:2



Die Dimensionierung des Befestigungsmaterials ist nach den örtlichen Richtlinien und statischen Vorgaben auszuführen. Eine optimale Abdichtung besteht aus einer wasserdampfdurchlässigen Folie aussen und einer dampfdiffusions geschlossenen Folie innen.

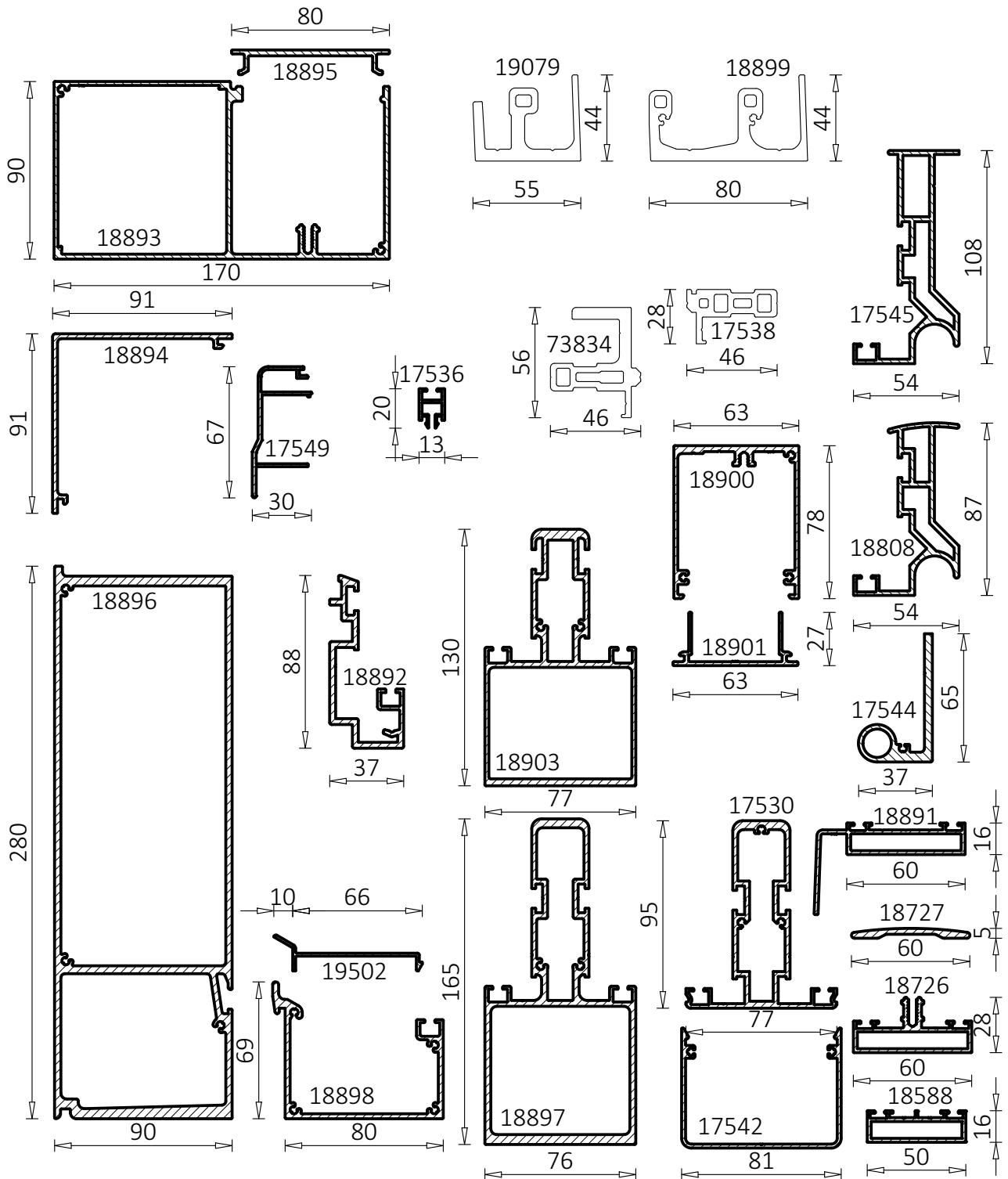
The dimensioning of fixing material is building site according to local guidelines and static specifications. A reliable seal consists of a water vapor permeable seal outside and a vapor diffusion tight seal inside.



Profile overview

CUBO_P01

Masstab / Scale 1:3

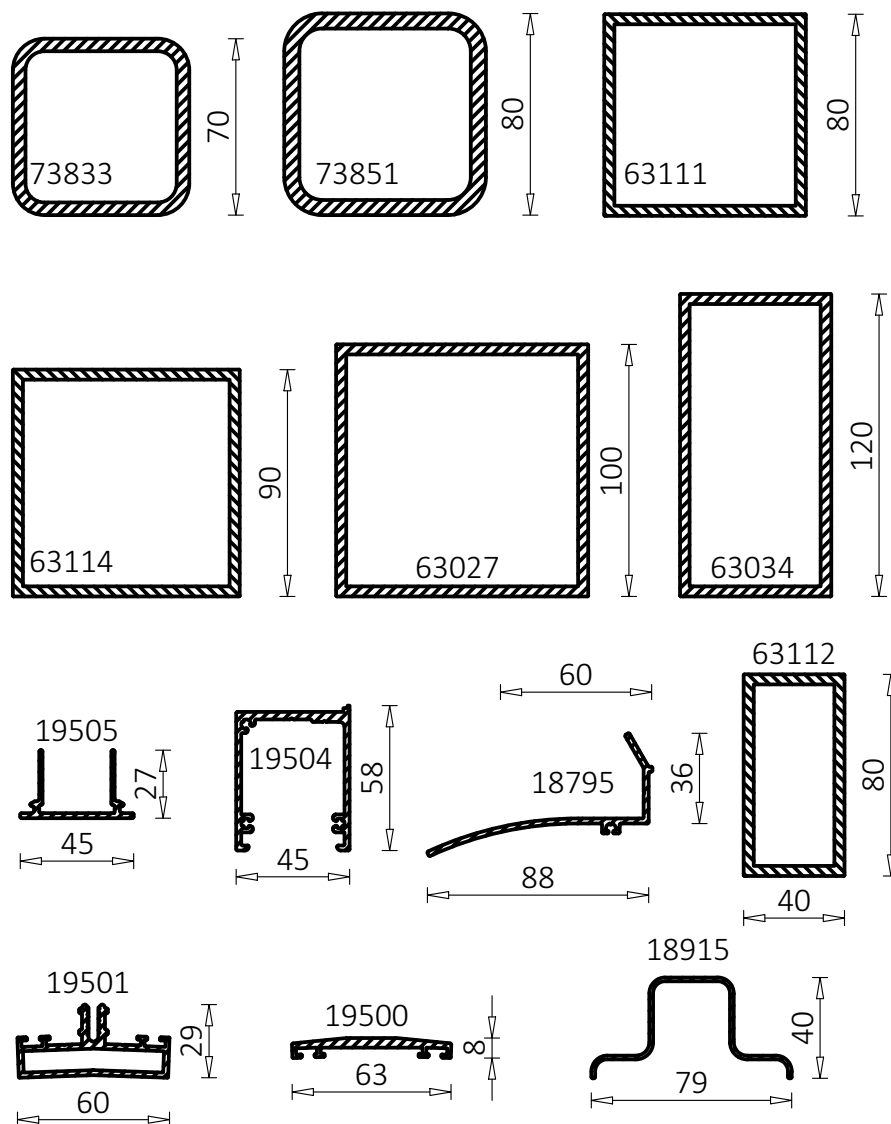




Profile overview

CUBO_P02

Masstab / Scale 1:3



Benefit from the large Sunparadise range and our usual expert advice.

For further information, see

 [sunparadise.com](https://www.sunparadise.com)